

Product
Pole

Contacts: 4, Female cable connector, overmoulded, snap version, 8mm
4

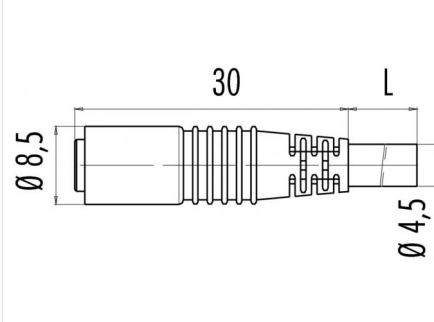
Area
Article number

M8 Series 718
79 3386 55 04

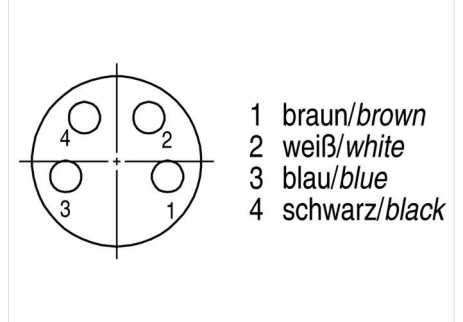
Illustration



Scale drawing



Contact Arrangement



Technical data

Common values

Connector Design	Female cable connector
Connector locking system	Snap
Termination	crimp, injection-moulded cable
Wire gauge (mm)	0.25 mm ²
Wire gauge (AWG)	24
Cable outlet	-
Upper temperature	70 °C
Lower temperature	-25 °C

Cable data

material housing	PUR
Insulation single lead	PVC
Single lead structure	32 x 0.1
Cable sheath Ø	4.5
Conductor resistance	79.9Ω/Km
Temperature range cable movable c from	-5
Temperature range cable movable c to	70
Temperature range cable fixed c from	-15
Temperature range cable fixed c to	70
Bending radius cable fixed	min. 5 x D
Bending radius cable movable	min. 10 x D

Electrical values

Rated voltage	30 V
Rated impulse voltage	800 V
Pollution degree	3
Overvoltage category	II
Material group	II
Rated current (40°C)	4 A
Volume resistivity	≤ 3 mΩ
EMV compliance	not shielded
Degree of protection	IP65
Mechanical operation	> 50 mating cycles

Material

Material of contact	CuZn (Brass)
Contact plating	Au (Gold)
Material of contact body	PUR
Material of housing	PUR

Contacts: 4, Cable length 5 m, cable: 4 x 0.25, PUR, female cable connector, overmoulded, snap version, 8mm