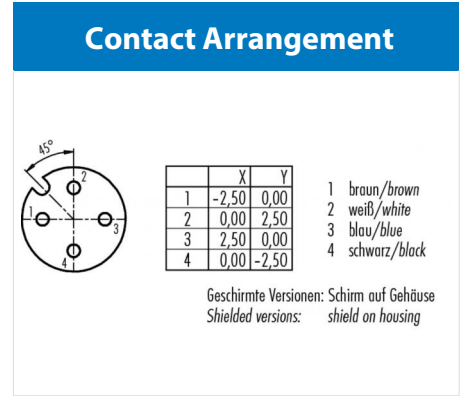
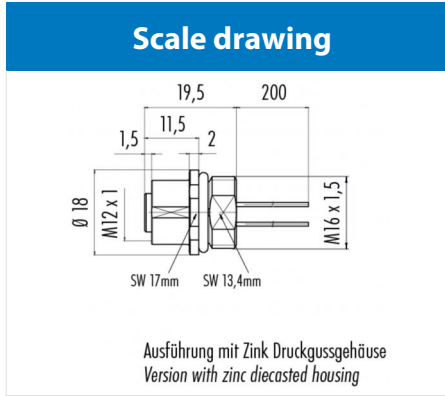
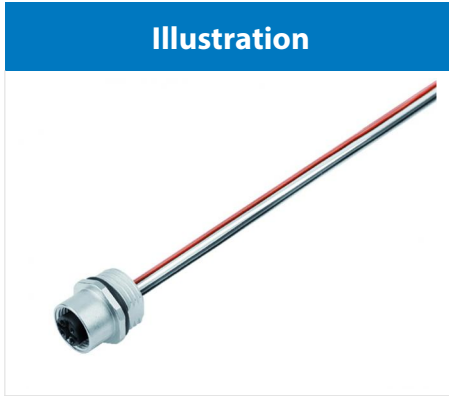


Product **Contacts: 4, Female panel mount connector with single wires, 0.25 mm², contact insert, black, M16 x 1.5**
 Area **M12-A Series 713/763**
 Article number **76 0232 0011 00004 0200**



You can find the assembly instruction on the next page.

Technical data

General features

Connector Design	female panel mount connector
Connector locking system	bolted
Termination	Strands UL 1007/1569
Wire gauge (mm)	0,25 mm ²
Wire gauge (AWG)	24
Upper temperature	85 °C
Lower temperature	-40 °C

Cable data

Approval 1	UL
------------	----

Electrical parameters

Rated voltage	250 V
Rated impulse voltage	2500 V
Pollution degree	3
Overvoltage category	II
Material group	II
Rated current (40°C)	4 A
Volume resistivity	≤ 3 mΩ
EMV compliance	not shielded
Degree of protection	IP67
Mechanical operation	> 50 Mating cycles

Material

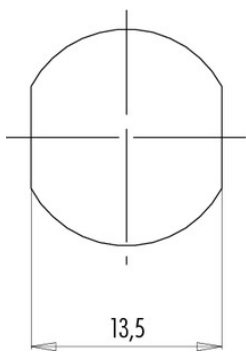
Material of contact	CuSn (Bronze)
Contact plating	Au (gold)
Material of contact body	PA
Material of housing	Zink Druckguss vernickelt

Product **Contacts: 4, Female panel mount connector with single wires, 0.25 mm², contact insert, black, M16 x 1.5**
 Area **M12-A Series 713/763**
 Article number **76 0232 0011 00004 0200**

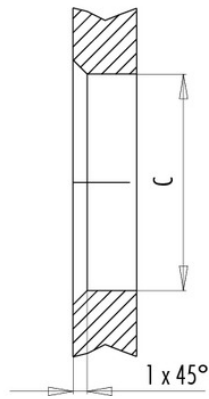
Installation instructions / Mounting cutout

Mit Fläche als Verdrehschutz
With flats as anti-rotation device

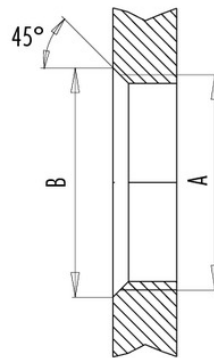
PG 9/M16 x 1,5



Mit Durchgangsbohrung
With bore hole



Mit Gewinde, einschraubbar
With thread to screw in



alternativ/alternativ

	A	B	C
PG 9	PG 9	16,2	15,3
PG 13,5	PG 13,5	21,5	20,5
M16x1,5	M16x1,5	17,0	16,1
M20x1,5	M20x1,5	21,0	20,1

Anzugsdrehmoment/Tightening moment

Metallgehäuse/Metal housing 6,25 Nm
Kunststoffgehäuse/Plastic housing 3,75 Nm