

Product sheet

Miniature connector

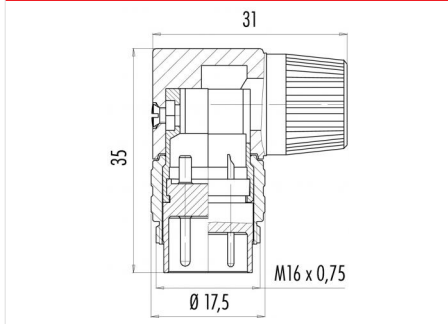


Product	Contacts: 7, Male angled connector, cable outlet 4 – 6 mm, plastic model	Area	M16 IP40 Series 682
Pole	7	Article number	09 0145 70 07

Illustration



Scale drawing



Contact Arrangement

	X	Y
1	-1,75	-3,03
2	-3,50	0,00
3	-1,75	3,03
4	1,75	3,03
5	3,50	0,00
6	1,75	-3,03
7	0,00	0,00

You can find the item description on the next page.

Technical data

Common values

Connector Design	Male angled connector
Connector locking system	screw
Termination	Solder
Wire gauge (mm)	0.75 mm ²
Wire gauge (AWG)	20
Cable outlet	4 - 6 mm
Upper temperature	85 °C
Lower temperature	-40 °C

Electrical values

Rated voltage	125 V
Rated impulse voltage	800 V
Pollution degree	1
Overvoltage category	I
Material group	III
Rated current (40°C)	5 A
Volume resistivity	≤ 5 mΩ
EMV compliance	not shielded
Degree of protection	IP40
Mechanical operation	> 500 mating cycles

Material

Material of contact	CuZn (Brass)
Contact plating	Ag (Silver)
Material of contact body	PBT (UL 94 V-0)
Material of housing	PA (UL 94 HB)

Contacts: 7, Male angled connector, cable outlet 4 – 6 mm, plastic model, silver plated contacts

Product sheet

Miniature connector



Product

Contacts: 7, Male angled connector, cable outlet 4 – 6 mm, plastic model
7

Area
Article number

M16 IP40 Series 682
09 0145 70 07

Pole

Item description

