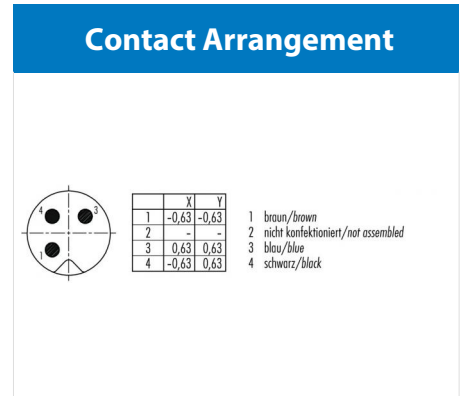
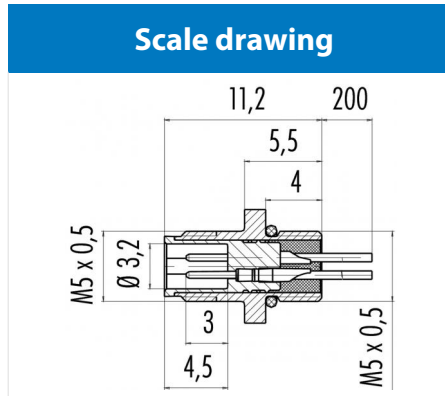


Product	<b>Contacts 3: male panel mount connector with single wires</b>	Area	<b>M5 Series 707</b>
Pole	<b>3</b>	Article number	<b>09 3105 01 03</b>



## Technical data

### Common values

Connector Design	Male panel mount connector
Connector locking system	screw
Termination	With assembled wire
Wire gauge (mm)	0.25 mm <sup>2</sup>
Wire gauge (AWG)	24
Cable outlet	-
Upper temperature	80 °C
Lower temperature	-25 °C

### Cable data

material housing	-
Insulation single lead	-
Single lead structure	-
Temperature range cable movable c from	-5
Temperature range cable movable c to	80
Temperature range cable fixed c from	-25
Temperature range cable fixed c to	80
Bending radius cable fixed	-
Bending radius cable movable	-

### Electrical values

Rated voltage	60 V
Rated impulse voltage	800 V
Pollution degree	3
Overvoltage category	II
Material group	I
Rated current (40°C)	1 A
Volume resistivity	≤ 3 mΩ
EMV compliance	not shielded
Degree of protection	IP67
Mechanical operation	> 100 mating cycles

### Material

Material of contact	CuZn (Brass)
Contact plating	Au (Gold)
Material of contact body	PA
Material of housing	CuZn (Brass nickel-plated)

Contacts 3: Cable: 3 x 0.25 mm<sup>2</sup>, male panel mount connector with single wires