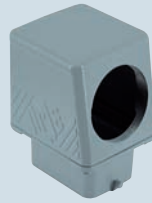


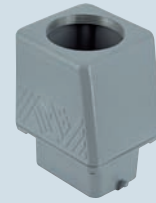
inserts:	page:
CDD 24 poles + ⊕	67
CDS 9 poles + ⊕	78
CSH 6 poles + ⊕	91
CNE, CSE 6 poles + ⊕	104
CCE 6 poles + ⊕	110
CSS 6 poles + ⊕	122
CT, CTSE (16A) 6 poles + ⊕	130
CQE 10 poles + ⊕	138
MIXO 2 modules	179 - 215

insert centre distance:
44 x 27 mm

hoods with 2 pegs



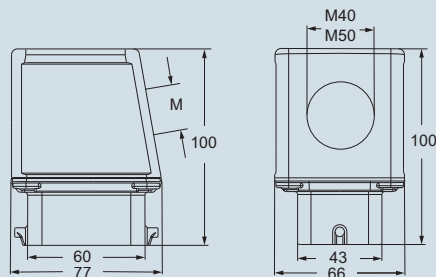
hoods with 2 pegs



description	part No.	entry M	part No.	entry M
with pegs, side entry	MBO 06 L40	40	MBV 06 L40	40
with pegs, side entry	MBO 06 L50	50	MBV 06 L50	50
with pegs, top entry				
with pegs, top entry				

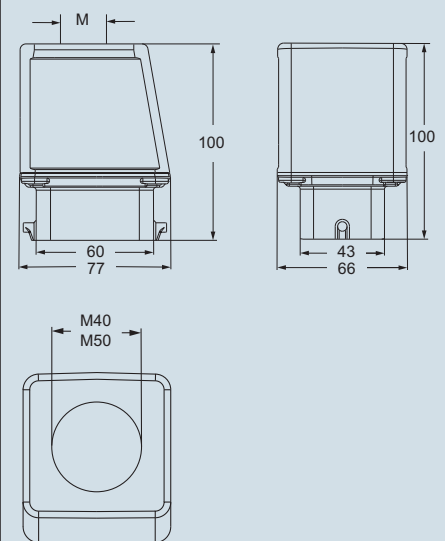
dimensions in mm

MBO 06 L



dimensions in mm

MBV 06 L



CALUS® Type 4/4X/12



dimensions shown are not binding and may be changed without notice

BIG - size 44.27



inserts:	page:	
CDD 24 poles + ⊕	67	
CDS 9 poles + ⊕	78	
CSH 6 poles + ⊕	91	
CNE, CSE 6 poles + ⊕	104	
CCE 6 poles + ⊕	110	
CSS 6 poles + ⊕	122	
CT, CTSE (16A) 6 poles + ⊕	130	
CQE 10 poles + ⊕	138	
MIXO 2 modules	179 - 215	

insert centre distance:
44 x 27 mm

hoods with 2 pegs



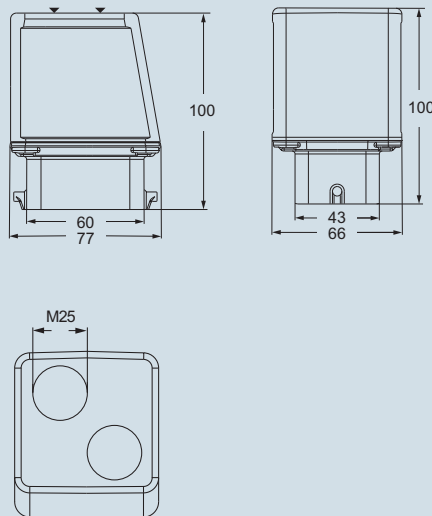
hoods with 2 pegs



description	part No.	entry M	part No.	entry M
with pegs, top entry	MBV 06 L225	25 x 2	MBV 06 L320	20 x 3
with pegs, top entry				

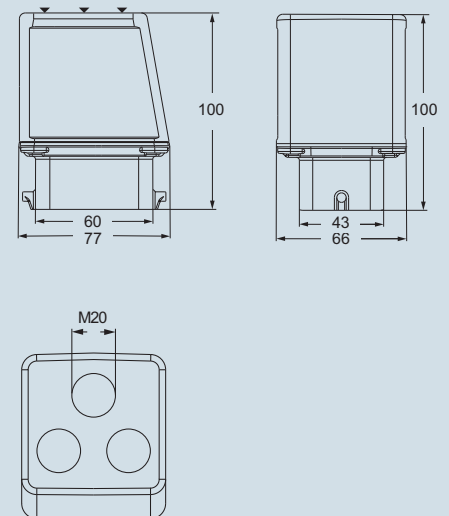
dimensions in mm

MBV 06 L225



dimensions in mm

MBV 06 L320



CRUS® Type 4/4X/12



dimensions shown are not binding and may be changed without notice

BIG - size 44.27

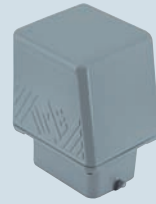
inserts:	page:
CDD 24 poles + ⊕	67
CDS 9 poles + ⊕	78
CSH 6 poles + ⊕	91
CNE, CSE 6 poles + ⊕	104
CCE 6 poles + ⊕	110
CSS 6 poles + ⊕	122
CT, CTSE (16A) 6 poles + ⊕	130
CQE 10 poles + ⊕	138
MIXO 2 modules	179 - 215

insert centre distance:
44 x 27 mm

hoods with 2 pegs



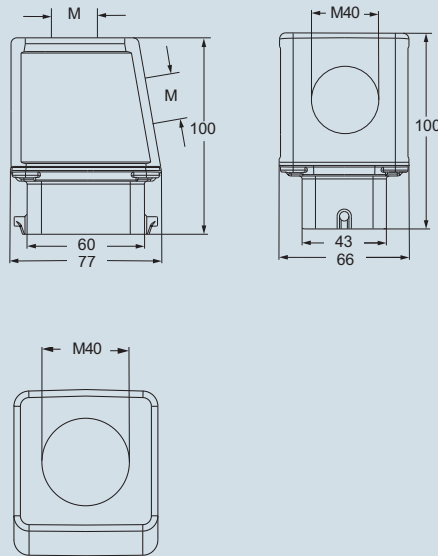
hoods with 2 pegs



description	part No.	entry M	part No.
with pegs, side and top entries	MBVO 06 L240	2 x 40	
with pegs, without entries, designed to be drilled			CBC 06 L

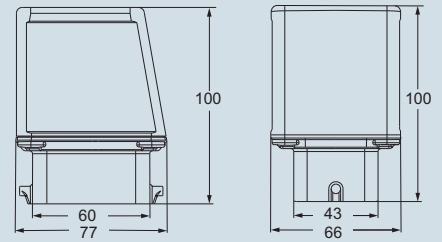
dimensions in mm

MBVO 06 L240



dimensions in mm

CBC 06 L



CAUS® Type 4/4X/12



dimensions shown are not binding and may be changed without notice

BIG - size 44.27