

# Product sheet

## Output connector

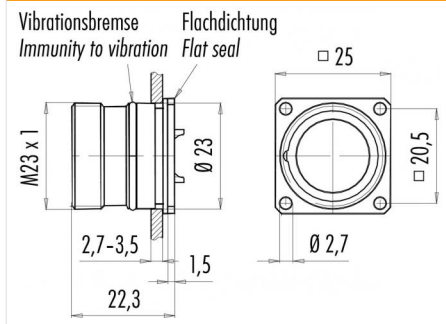


Product	<b>Polzahl: 9, Flanschstecker, Rückwandmontage linksdrehend</b>	Area	<b>M23 Power Series 623</b>
Pole	<b>9</b>	Article number	<b>99 4603 81 09</b>

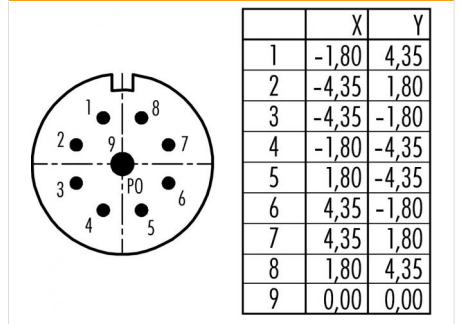
### Illustration



### Scale drawing



### Contact Arrangement



## Technical data

### Common values

Connector Design	Male panel mount connector
Connector locking system	screw
Termination	Solder
Wire gauge (mm)	8x1.5/ 1x2.5 mm <sup>2</sup>
Wire gauge (AWG)	8x16/ 1x14
Cable outlet	-
Upper temperature	125 °C
Lower temperature	-20 °C

### Electrical values

Rated voltage	300 V
Rated impulse voltage	2500 V
Pollution degree	3
Overvoltage category	II
Material group	III
Rated current (40°C)	8x8A/ 1x20A
Volume resistivity	≤ 3 mΩ
EMV compliance	not shielded
Degree of protection	IP67
Mechanical operation	> 50 mating cycles

### Material

Material of contact	CuZn (Brass)
Contact plating	Au (Gold)
Material of contact body	PBT/PA66
Material of housing	Nickel-plated zinc die casting

Contacts: 9, Male panel mount connector, back-panel mount, left-turning