

Product sheet

Subminiature connector



Product
Pole

**Contacts: 3, cable plug connector
overmoulded, unshielded**
3

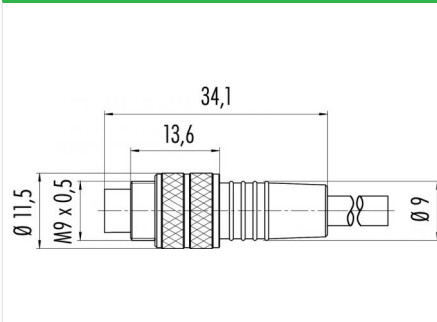
Area
Article number

M9 IP67 Series 702
79 1451 215 03

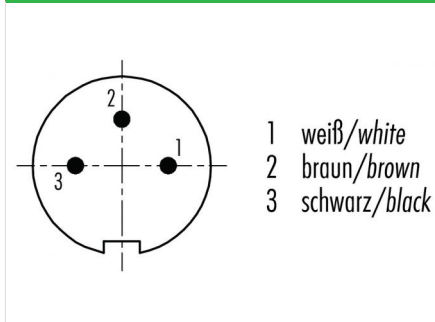
Illustration



Scale drawing



Contact Arrangement



Technical data

Common values

| | |
|--------------------------|----------------------|
| Connector Design | Cable plug connector |
| Connector locking system | screw |
| Termination | overmoulded on cable |
| Wire gauge (mm) | 0.25 mm ² |
| Wire gauge (AWG) | 24 |
| Cable outlet | - |
| Upper temperature | 70 °C |
| Lower temperature | -25 °C |

Cable data

| | |
|----------------------------------------|-------------|
| material housing | PUR |
| Insulation single lead | PVC |
| Single lead structure | 32 x 0.1 mm |
| Cable sheath Ø | 4.5 |
| Conductor resistance | 72Ω/Km |
| Temperature range cable movable c from | -5 |
| Temperature range cable movable c to | 70 |
| Temperature range cable fixed c from | -25 |
| Temperature range cable fixed c to | 70 |
| Bending radius cable fixed | Min. 22 mm |
| Bending radius cable movable | Min. 45 mm |

Electrical values

| | |
|-----------------------|---------------------|
| Rated voltage | 125 V |
| Rated impulse voltage | 1500 V |
| Pollution degree | 1 |
| Overvoltage category | II |
| Material group | III |
| Rated current (40°C) | 4 A |
| Volume resistivity | ≤ 3 mΩ |
| EMV compliance | nicht geschirmt |
| Degree of protection | IP67 |
| Mechanical operation | > 500 mating cycles |

Material

| | |
|--------------------------|-----------------|
| Material of contact | CuZn (Brass) |
| Contact plating | Au (Gold) |
| Material of contact body | PBT (UL 94 V-0) |
| Material of housing | PUR |

Contacts: 3, cable plug connector overmoulded, unshielded, cable length 5 m