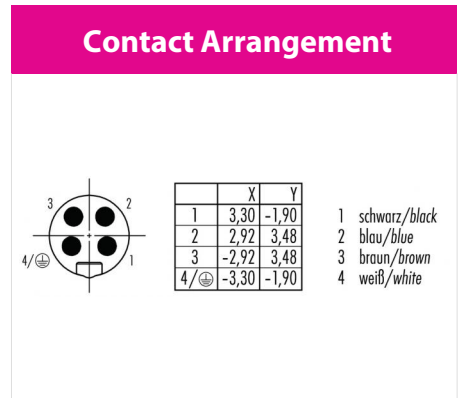
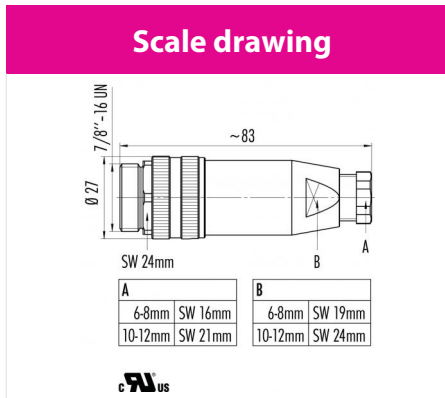


Product	Contacts: 3+PE, Cable plug connector with UL approval, with die-cast threaded ring, with pin marking in connecting area, cable outlet 6 - 8 mm, 10 - 12 mm, 3+PE	Area Article number	7/8" Series 820 99 2443 12 04
Pole			



You can find the item description and assembly instruction on the next page.

Technical data

Common values

Connector Design	Cable plug connector
Connector locking system	Screws 7/8" - 16 UN
Termination	Schrauben
Wire gauge (mm)	1.50 mm ²
Wire gauge (AWG)	16
Cable outlet	6 - 8 mm
Upper temperature	85 °C
Lower temperature	-25 °C

Cable data

material housing	-
Insulation single lead	-
Single lead structure	-
Conductor resistance	-
Bending radius cable fixed	-
Bending radius cable movable	-

Electrical values

Rated voltage	300 V
Rated impulse voltage	4000 V
Pollution degree	3
Overvoltage category	III
Material group	III
Rated current (40°C)	9 A
Volume resistivity	≤ 3 mΩ
EMV compliance	-
Degree of protection	IP67
Mechanical operation	> 50 mating cycles

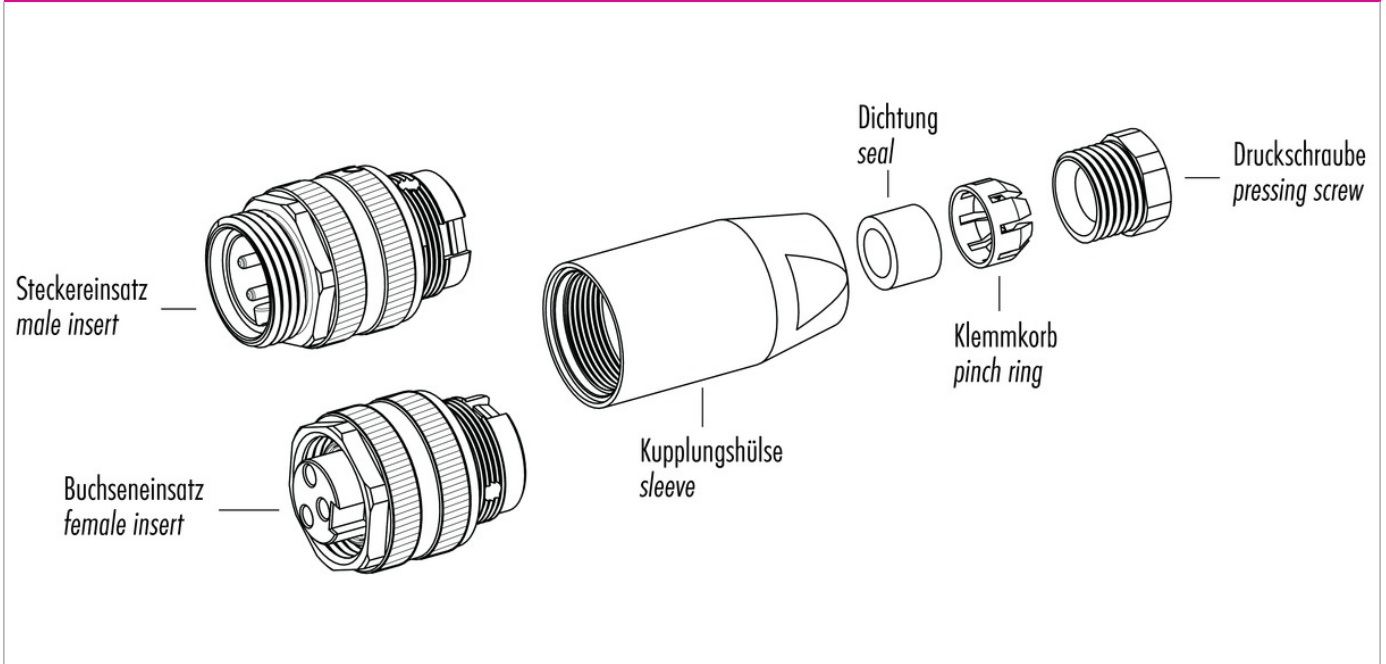
Material

Material of contact	CuZn (Brass)
Contact plating	Au (Gold)
Material of contact body	PUR, PA (UL 94 HB)
Material of housing	PBT (UL 94 V-0)

cable outlet: 6 - 8 mm, Contacts: 3+PE, with pin marking in connecting area, cable plug connector with UL approval

Product	Contacts: 3+PE, Cable plug connector with UL approval, with die-cast threaded ring, with pin marking in connecting area, cable outlet 6 - 8 mm, 10 - 12 mm, 3+PE	Area Article number	7/8" Series 820 99 2443 12 04
Pole			

Item description



Installation instructions / Mounting cutout

