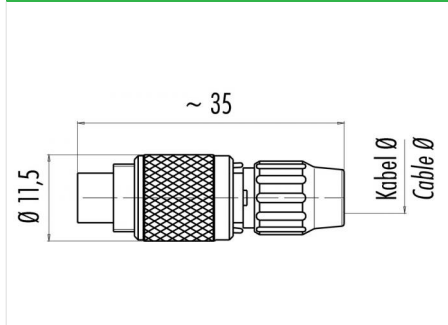


Product Pole	<b>Contacts: 2, Cable plug connector</b> 2	Area Article number	<b>M9 IP40 Series 711</b> 99 0071 100 02
--------------	---	---------------------	---

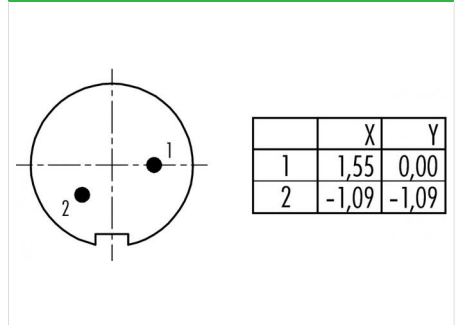
**Illustration**



**Scale drawing**



**Contact Arrangement**



You can find the item description on the next page.

**Technical data**

**Common values**

Connector Design	Cable plug connector
Connector locking system	screw
Termination	Solder
Wire gauge (mm)	0.25 mm <sup>2</sup>
Wire gauge (AWG)	24
Cable outlet	3 - 4 mm
Upper temperature	85 °C
Lower temperature	-40 °C

**Cable data**

material housing	-
Insulation single lead	-
Single lead structure	-
Conductor resistance	-

**Electrical values**

Rated voltage	125 V
Rated impulse voltage	1500 V
Pollution degree	1
Overvoltage category	II
Material group	III
Rated current (40°C)	4 A
Volume resistivity	≤ 3 mΩ
EMV compliance	not shieldable
Degree of protection	IP40
Mechanical operation	> 500 mating cycles

**Material**

Material of contact	CuZn (Brass)
Contact plating	Au (Gold)
Material of contact body	PA (UL 94 V-0)
Material of housing	PA (UL 94 VH-B)

Contacts: 2, cable plug connector, cable outlet 3 -4 mm

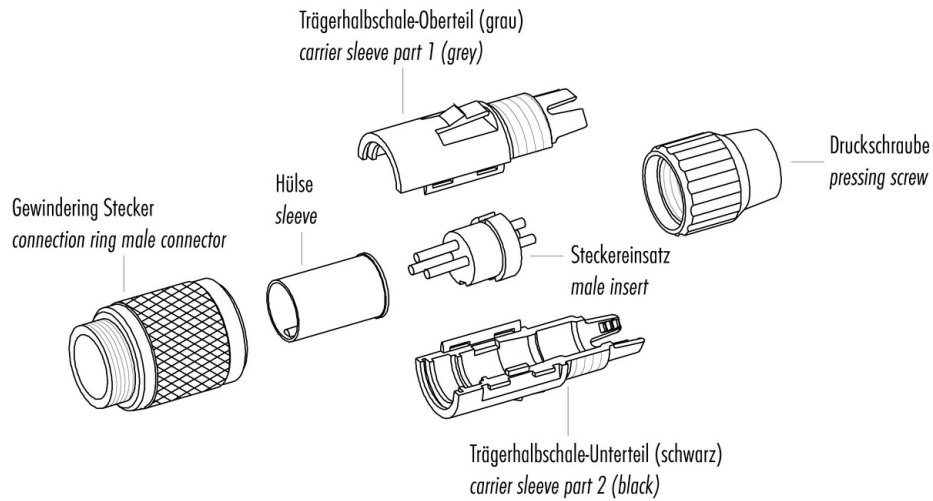
Product  
Pole

Contacts: 2, Cable plug connector  
2

Area  
Article number

M9 IP40 Series 711  
99 0071 100 02

### Item description



**Achtung:** max. Drehmoment des Gewindinges im Flanschsteckverbinder: 50cNm (handfest)

**Attention:** max. torque of ring nut in socket connector: 50cNm (manual adjustment)