

Product sheet

Miniature connector

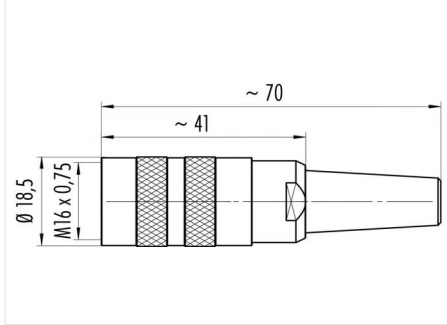


Product	Contacts: 4, Female cable connector with cable clamp, CRIMP connection, shieldable, cable outlet 6 - 8 mm	Area	M16 IP40 Series 581
Pole	4	Article number	99 2010 702 04

Illustration



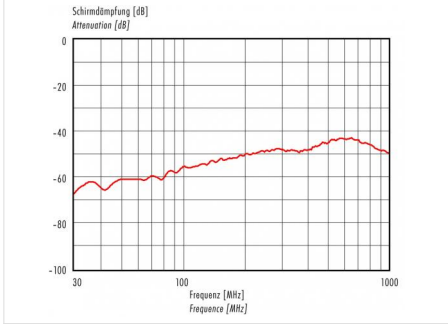
Scale drawing



Contact Arrangement

	X	Y
1	-3,32	-1,08
2	-2,05	2,83
3	2,05	2,83
4	3,32	-1,08

Attenuation characteristic



You can find the item description and assembly instruction on the next page.

Technical data

Common values

Connector Design	Female cable connector
Connector locking system	screw
Termination	Crimp
Wire gauge (mm)	see crimp contacts under accessories
Wire gauge (AWG)	-
Cable outlet	6 - 8 mm
Upper temperature	85 °C
Lower temperature	-40 °C

Electrical values

Rated voltage	250 V
Rated impulse voltage	1500 V
Pollution degree	1
Overtoltage category	I
Material group	III
Rated current (40°C)	6 A
Volume resistivity	≤ 5 mΩ
EMV compliance	shielded
Degree of protection	IP40
Mechanical operation	> 500 mating cycles

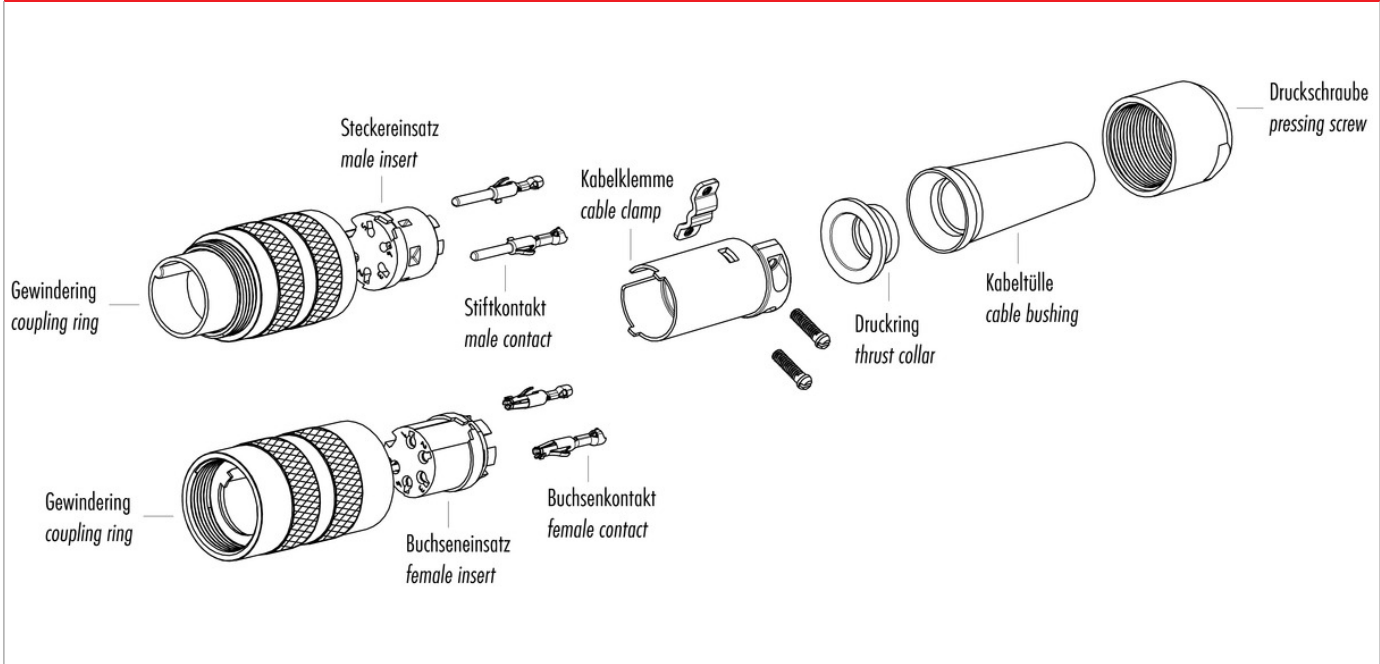
Material

Material of contact	CuSn (Bronze)
Contact plating	Ag (Silver)
Material of contact body	PBT (UL 94 V-0)
Material of housing	CuZn (Brass nickel-plated)

Contacts: 4, Female cable connector with cable clamp, CRIMP connection, shieldable, cable outlet 6 - 8 mm

Product	Contacts: 4, Female cable connector with cable clamp, CRIMP connection, shieldable, cable outlet 6 - 8 mm	Area	M16 IP40 Series 581
Pole	4	Article number	99 2010 702 04

Item description



Installation instructions / Mounting cutout

