

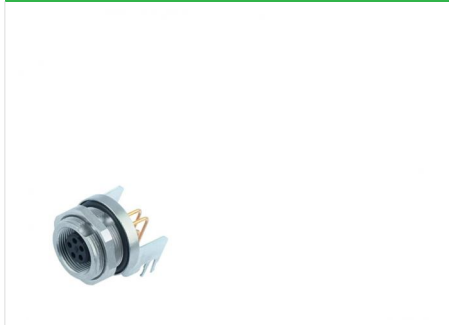
# Product sheet

## Subminiature connector

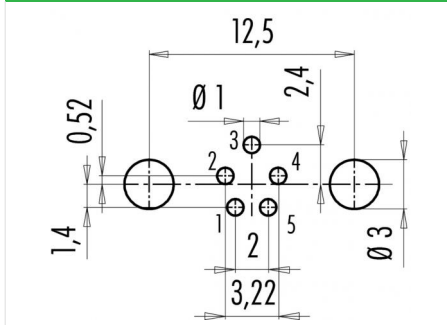


Product	<b>Contacts: 5, Female panel mount connector, dip-solder, with shielding sheet, angled, screwed from front</b>	Area	<b>M9 IP67 Series 712/702</b>
Pole	<b>5</b>	Article number	<b>09 0416 55 05</b>

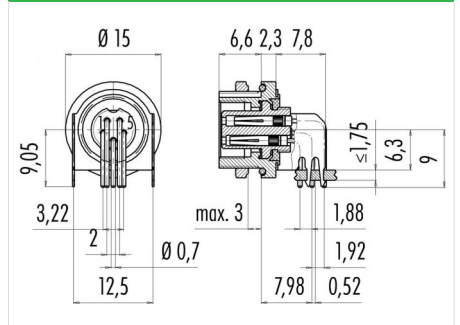
### Illustration



### Conductor layout



### Scale drawing



You can find the assembly instruction on the next page.

## Technical data

### Common values

Connector Design	Female panel mount connector
Connector locking system	screw
Termination	dip-solder
Wire gauge (mm)	-
Wire gauge (AWG)	-
Upper temperature	85 °C
Lower temperature	-40 °C

### Cable data

material housing	-
Insulation single lead	-
Single lead structure	-
Conductor resistance	-

### Electrical values

Rated voltage	125 V
Rated impulse voltage	1500 V
Pollution degree	1
Overvoltage category	II
Material group	III
Rated current (40°C)	1 A
Volume resistivity	≤ 3 mΩ
EMV compliance	shieldable
Degree of protection	IP67
Mechanical operation	> 500 mating cycles

### Material

Material of contact	CuSn (Bronze)
Contact plating	Au (Gold)
Material of contact body	PA (UL 94 V-0)
Material of housing	CuZn (Brass nickel-plated)

Contacts: 5, Female panel mount connector, dip-solder with shielding sheet, screwed from front, angled

Product

Contacts: 5, Female panel mount connector, dip-solder, with shielding sheet, angled, screwed from front  
5

Area  
Article number

M9 IP67 Series 712/702  
09 0416 55 05

Pole

### Installation instructions / Mounting cutout

