
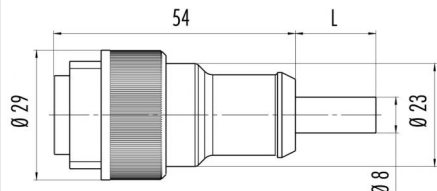
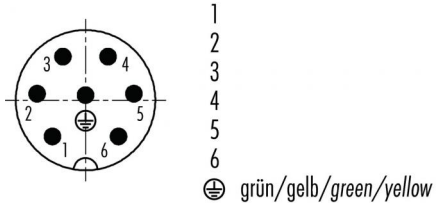


Product sheet

Output connector



Product	Contacts 6+PE, 7 x 0.75 PVC: cable plug connector injection-moulded cable	Area	RD24 Power Series 692/693
Pole	6+PE	Article number	79 0235 20 07

Illustration	Scale drawing	Contact Arrangement
		

You can find the item description on the next page.

Technical data

Common values

Connector Design	Cable plug connector
Connector locking system	screw
Termination	crimp, injection-moulded cable
Wire gauge (mm)	0.75 mm ²
Wire gauge (AWG)	18
Cable outlet	-
Upper temperature	80 °C
Lower temperature	-25 °C

Cable data

material housing	PVC black
Insulation single lead	PVC sw 1, sw 2, sw 3, green/yellow
Single lead structure	28x0.25 mm
Cable sheath Ø	8.6
Conductor resistance	-
Bending radius cable fixed	120 mm
Bending radius cable movable	60 mm
Approval	UL, CSA

Electrical values

Rated voltage	250 V
Rated impulse voltage	4000 V
Pollution degree	3
Overvoltage category	III
Material group	III
Rated current (40°C)	8 A
Volume resistivity	≤ 5 mΩ
EMV compliance	not shielded
Degree of protection	IP67
Mechanical operation	> 500 mating cycles

Material

Material of contact	CuZn (Brass)
Contact plating	Ag (Silver)
Material of contact body	PA 12
Material of housing	PUR

Contacts 6+PE, 7 x 0.75 PVC: cable plug connector injection-moulded cable, cable length 2 m

Product sheet

Output connector



Product	Contacts 6+PE, 7 x 0.75 PVC: cable plug connector injection-moulded cable	Area	RD24 Power Series 692/693
Pole	6+PE	Article number	79 0235 20 07

Item description

