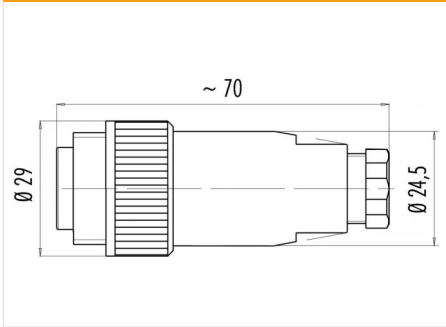


Product Pole	<b>Contacts 3+PE: Cable plug connector, PG 9 3+PE</b>	Area Article number	<b>RD24 Power Series 692/693 99 0209 00 04</b>
--------------	---	---------------------	--

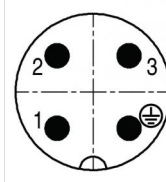
**Illustration**



**Scale drawing**



**Contact Arrangement**



	X	Y
1	-3,18	-3,18
2	-3,18	3,18
3	3,18	3,18
PE	3,18	-3,18

You can find the item description on the next page.

**Technical data**

**Common values**

Connector Design	Cable plug connector
Connector locking system	screw
Termination	Screwing
Wire gauge (mm)	0.5 -2.5 mm <sup>2</sup>
Wire gauge (AWG)	20-14
Cable outlet	6 - 9.5 mm
Upper temperature	100 °C
Lower temperature	-40 °C

**Electrical values**

Rated voltage	400 V
Rated impulse voltage	6000 V
Pollution degree	3
Overvoltage category	III
Material group	III
Rated current (40°C)	16 A
Volume resistivity	≤ 5 mΩ
EMV compliance	not shielded
Degree of protection	IP67
Mechanical operation	> 500 mating cycles

**Material**

Material of contact	CuZn (Brass)
Contact plating	Ag (Silver)
Material of contact body	PBT (UL 94 V-0)
Material of housing	PBT (UL 94 V-0)

Contacts 3+PE: Cable plug connector, PG 9, screw

# Product sheet

## Output connector



Product  
Pole

**Contacts 3+PE: Cable plug connector, PG 9**  
3+PE

Area  
Article number

**RD24 Power Series 692/693**  
99 0209 00 04

### Item description

