

# Product sheet

## Output connector

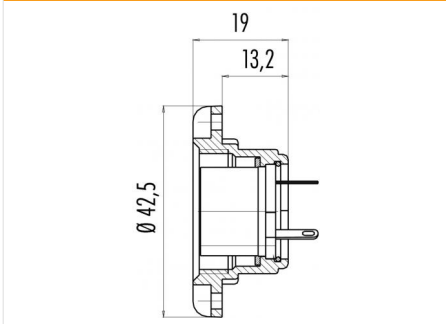


Product	<b>Contacts: 5, female panel mount connector</b>	Area	<b>M25 Power Series 691</b>
Pole	<b>5</b>	Article number	<b>09 0040 00 05</b>

### Illustration



### Scale drawing



### Contact Arrangement

	X	Y
1	-3,05	-2,70
2	-5,00	3,10
3	0,00	4,10
4	5,00	3,10
5	3,05	-2,70

You can find the assembly instruction on the next page.

## Technical data

### Common values

Connector Design	Female panel mount connector
Connector locking system	screw
Termination	Solder
Wire gauge (mm)	1.50 mm <sup>2</sup>
Wire gauge (AWG)	16
Cable outlet	-
Upper temperature	85 °C
Lower temperature	-40 °C

### Electrical values

Rated voltage	250 V
Rated impulse voltage	2500 V
Pollution degree	1
Overvoltage category	II
Material group	III
Rated current (40°C)	10 A
Volume resistivity	≤ 5 mΩ
EMV compliance	not shielded
Degree of protection	IP40
Mechanical operation	> 500 mating cycles

### Material

Material of contact	CuSn (Bronze)
Contact plating	Ag (Silver)
Material of contact body	PBT (UL 94 V-0)
Material of housing	GD-Al (anodised)

Contacts: 5, female panel mount connector

Product

Contacts: 5, female panel mount  
connector  
5

Area  
Article number

M25 Power Series 691  
09 0040 00 05

Pole

Installation instructions / Mounting cutout

