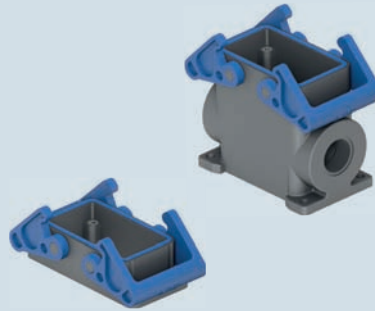


inserts:	page:
CDD ..... 42 poles + ⊕	69
CDS ..... 18 poles + ⊕	79
CSH ..... 10 poles + ⊕	92
CNE, CSE ..... 10 poles + ⊕	105
CCE ..... 10 poles + ⊕	111
CSS ..... 10 poles + ⊕	123
CT, CTSE (16A) *) .. 10 poles + ⊕	131
CQE ..... 18 poles + ⊕	139
CMCE ..... 3+2 (aux) poles + ⊕	148
CME ..... 3+2 (aux) poles + ⊕	149
CMSH ..... 3+2 (aux) poles + ⊕	149
CX ..... 8/24 poles + ⊕	169
MIXO ..... 3 modules	179 - 215

\*) only for standard insulating version THIH

insert centre distance:  
57 x 27 mm

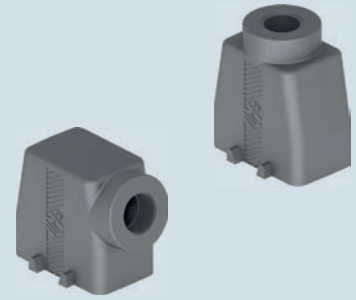
housings with double lever



HNBR gasket

**NEW**

hoods with 4 pegs

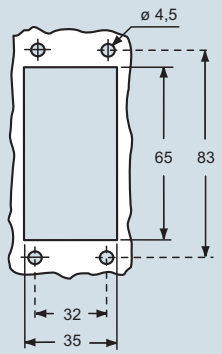


description	part No.	entry M
bulkhead mounting housing with thermoplastic levers	<b>THIH 10</b>	
surface mounting housing with thermoplastic levers	<b>TAPH 10.25</b>	<b>25</b>
surface mounting housing with thermoplastic levers	<b>TAPH 10.32</b>	<b>32</b>
with pegs, side entry		
with pegs, side entry		
with pegs, top entry		
with pegs, top entry		

part No.	entry M

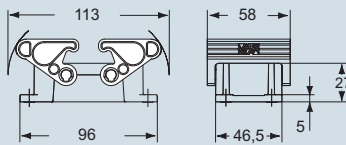
part No.	entry M
<b>TMAO 10.25</b>	<b>25</b>
<b>TMAO 10.32</b>	<b>32</b>
<b>TMAV 10.25</b>	<b>25</b>
<b>TMAV 10.32</b>	<b>32</b>

panel cut-out for bulkhead mounting housing in mm

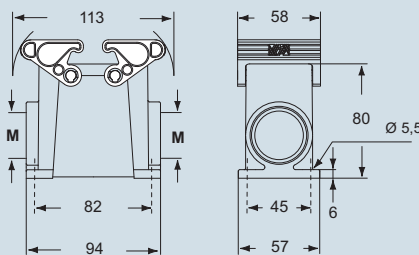


dimensions in mm

THIH 10

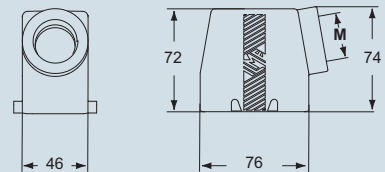


TAPH 10.25 and TAPH 10.32

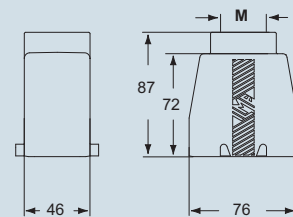


dimensions in mm

TMAO 10.25 and TMAO 10.32



TMAV 10.25 and TMAV 10.32



The surface mounting, high construction housings are supplied with an open threaded entry and diametrically opposite a closed threaded entry which can be opened by the user if required (with suitable tool).



ambient temperature limits -40 °C / +70 °C

dimensions shown are not binding and may be changed without notice

inserts:	page:	
<b>CDD</b> ..... 42 poles + ⊕	69	
<b>CDS</b> ..... 18 poles + ⊕	79	
<b>CSH</b> ..... 10 poles + ⊕	92	
<b>CNE, CSE</b> ..... 10 poles + ⊕	105	
<b>CCE</b> ..... 10 poles + ⊕	111	
<b>CSS</b> ..... 10 poles + ⊕	123	
<b>CT, CTSE (16A) *</b> .. 10 poles + ⊕	131	
<b>CQE</b> ..... 18 poles + ⊕	139	
<b>CMCE</b> ..... 3+2 (aux) poles + ⊕	148	
<b>CME</b> ..... 3+2 (aux) poles + ⊕	149	
<b>CMSH</b> ..... 3+2 (aux) poles + ⊕	149	
<b>CX</b> ..... 8/24 poles + ⊕	169	
<b>MIXO</b> ..... 3 modules	179 - 215	

\*) only for standard insulating version THIH

insert centre distance:  
57 x 27 mm

hoods with double lever top entry



HNBR gasket

NEW

covers



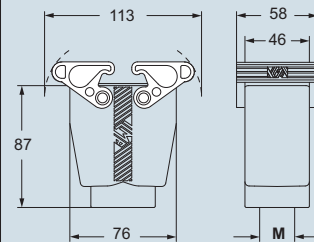
HNBR gasket

NEW

description	part No.	entry	part No. (with eyelet)	part No. (with loop)
		M		
with thermoplastic levers and gasket	<b>TAVH 10 G25</b>	<b>25</b>		
with thermoplastic levers and gasket	<b>TAVH 10 G32</b>	<b>32</b>		
with 4 pegs			<b>TCHC 10</b>	<b>TCHC 10 S</b>
with 2 thermoplastic levers and gasket				<b>THCH 10 G</b>

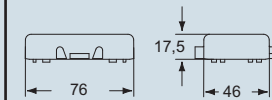
dimensions in mm

TAVH 10 G25 and TAVH 10 G32

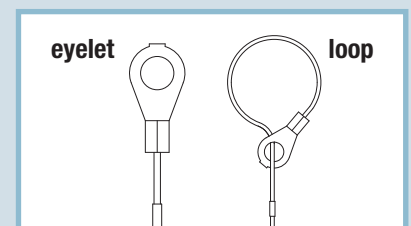
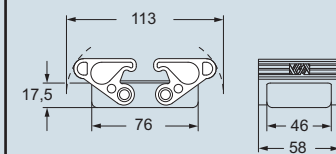


dimensions in mm

TCHC 10 (S)



THCH 10 G



ambient temperature limits -40 °C / +70 °C

dimensions shown are not binding and may be changed without notice