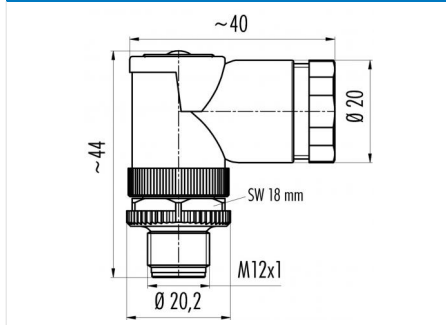


Product	<b>Contacts: 5, Dual male angled connector, metal lock, screw terminal connection, with UL approval</b>	Area	<b>M12-A Series 713</b>
Pole	<b>5</b>	Article number	<b>99 0437 286 05</b>

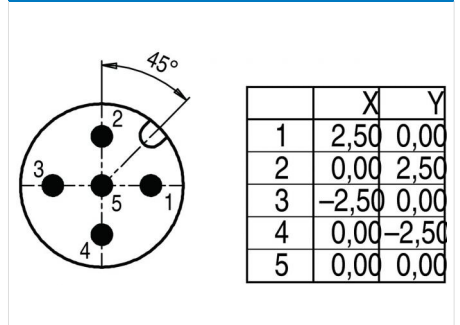
### Illustration



### Scale drawing



### Contact Arrangement



You can find the item description and assembly instruction on the next page.

## Technical data

### Common values

Connector Design	Male angled connector
Connector locking system	screw
Termination	Screwing
Wire gauge (mm)	0.75 mm <sup>2</sup>
Wire gauge (AWG)	18
Cable outlet	2 x 2.1 -3 mm or Ø 4 - 5 mm
Upper temperature	85 °C
Lower temperature	-40 °C

### Electrical values

Rated voltage	125 V
Rated impulse voltage	1500 V
Pollution degree	3
Overvoltage category	II
Material group	II
Rated current (40°C)	4 A
Volume resistivity	≤ 8 mΩ
EMV compliance	not shielded
Degree of protection	IP67
Mechanical operation	> 50 mating cycles

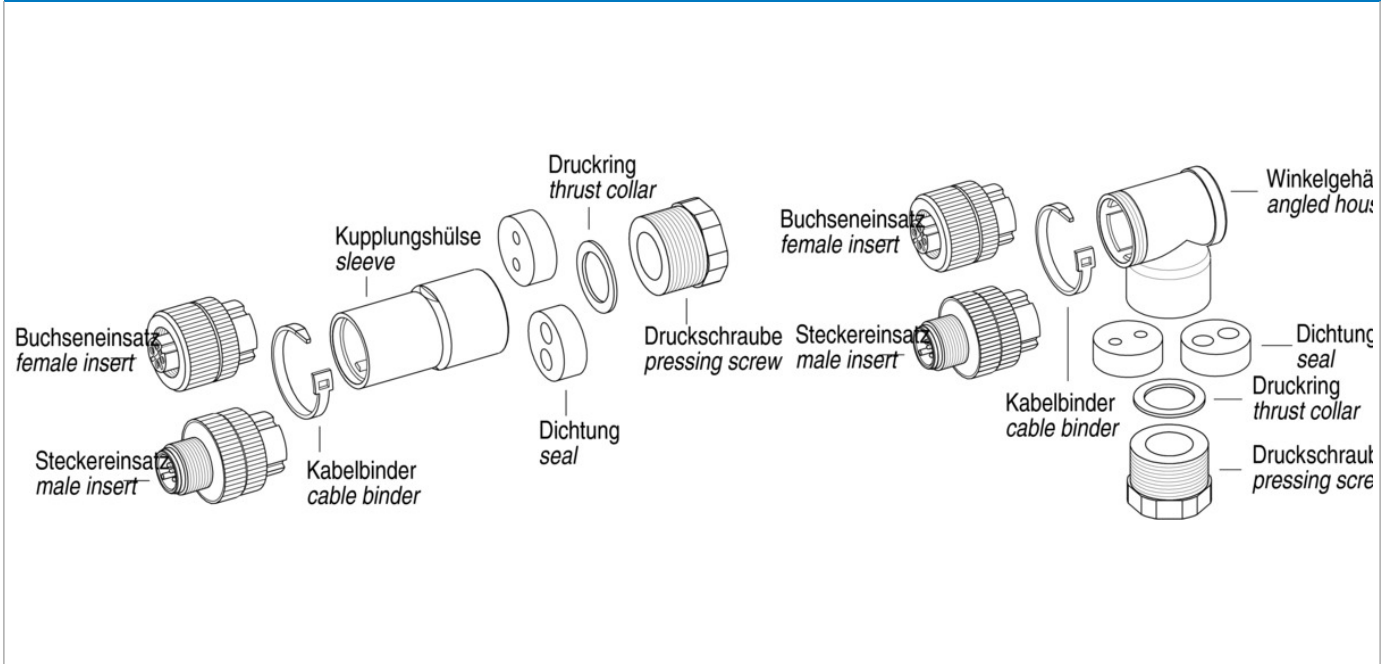
### Material

Material of contact	CuZn (Brass)
Contact plating	CuSnZn (Optaloy)
Material of contact body	PA
Material of housing	PA

Contacts: 5, Cable outlet: 2 Cables Ø 2.1-3 mm or Ø 4-5 mm, dual male angled connector, metal lock, screw terminal connection, with UL approval

Product	<b>Contacts: 5, Dual male angled connector, metal lock, screw terminal connection, with UL approval</b>	Area	<b>M12-A Series 713</b>
Pole	<b>5</b>	Article number	<b>99 0437 286 05</b>

**Item description**



**Installation instructions / Mounting cutout**

