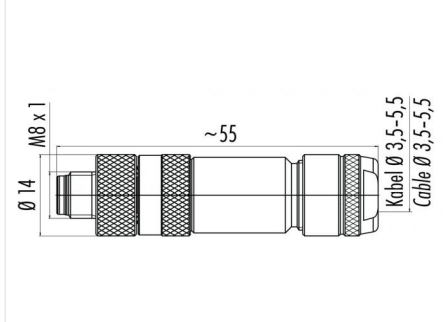


Product	Contacts 4: Cable plug connector, shieldable, screw terminal connection	Area	M8 Series 768
Pole	4	Article number	99 3363 100 04

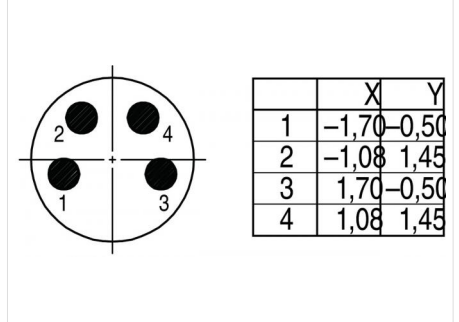
Illustration



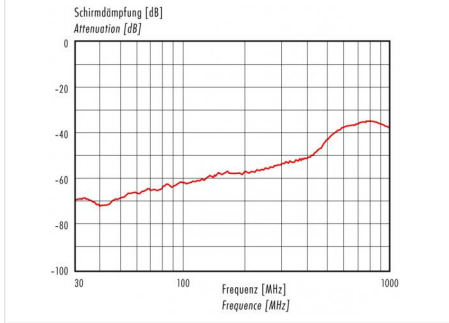
Scale drawing



Contact Arrangement



Attenuation characteristic



You can find the assembly instruction on the next page.

Technical data

Common values

Connector Design	Cable plug connector
Connector locking system	screw
Termination	Screwing
Wire gauge (mm)	0.14 - 0.50 mm ²
Wire gauge (AWG)	26-20
Cable outlet	3.5 - 5.5 mm
Upper temperature	85 °C
Lower temperature	-40 °C

Electrical values

Rated voltage	30 V
Rated impulse voltage	800 V
Pollution degree	3
Overvoltage category	II
Material group	III
Rated current (40°C)	4 A
Volume resistivity	≤ 3 mΩ
EMV compliance	geschirmt
Degree of protection	IP67
Mechanical operation	> 100 mating cycles

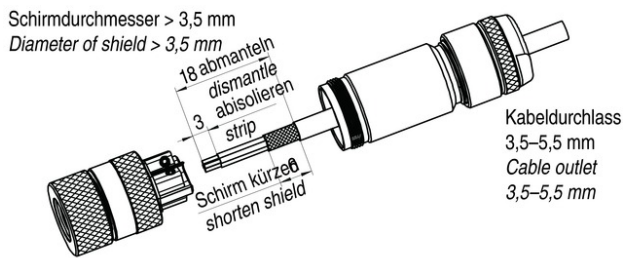
Material

Material of contact	CuZn (Brass)
Contact plating	Au (Gold)
Material of contact body	PA
Material of housing	CuZn (Brass nickel-plated)

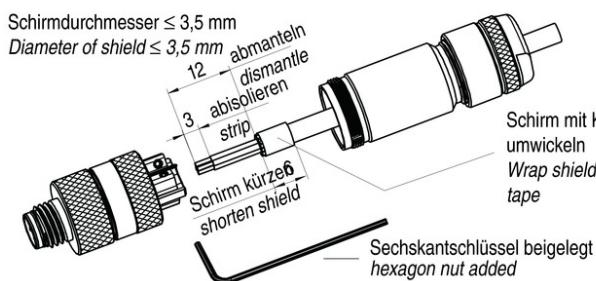
Contacts 4: Cable plug connector, shieldable, screw terminal connection

Product	Contacts 4: Cable plug connector, shieldable, screw terminal connection	Area	M8 Series 768
Pole	4	Article number	99 3363 100 04

Installation instructions / Mounting cutout

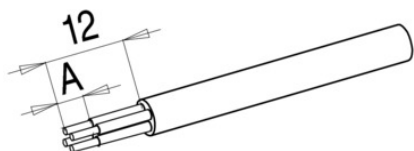


1. Gehäuse auf Kabel auffädeln.
 2. Abisolieren, Schirm kürzen.
 3. Litzen anschließen.
 4. Gehäuse mit Stecker- bzw. Buchseneinsatz verschrauben und [festdrehen.
1. Bead housing to cable.
 2. Strip cable, shorten shielding braid.
 3. Connect single wires.
 4. Screw housing to either male or female contact carrier and tight screw.



1. Gehäuse auf Kabel auffädeln.
 2. Abisolieren, Schirm kürzen, Schirm über Kabelmantel legen und Kupfer-Tape umwickeln.
 3. Litzen anschließen.
 4. Gehäuse mit Stecker- bzw. Buchseneinsatz verschrauben und [festdrehen.
1. Bead housing to cable.
 2. Strip cable, shorten shielding braid, place it over cable coating a with copper tape.
 3. Connect single wires.
 4. Screw housing to either male or female contact carrier and tight screw.

Installation instructions / Mounting cutout



	Schraubklemmversion screw connection	Lötversion solder version
Maß A/mm measure A/mm	4	3

Product	Contacts 4: Cable plug connector, shieldable, screw terminal connection	Area	M8 Series 768
Pole	4	Article number	99 3363 100 04

Installation instructions / Mounting cutout

