

Product sheet
Miniature connector

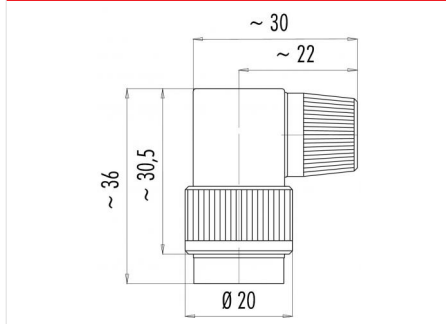


| | | | |
|---------|--|----------------|--------------------------------|
| Product | Contacts: 2, female angled connector, cable outlet 6 - 8 mm | Area | Bayonet IP40 Series 678 |
| Pole | 2 | Article number | 99 0602 72 02 |

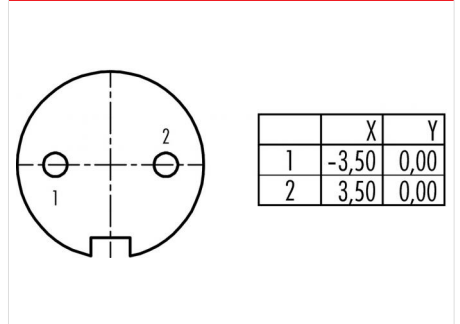
Illustration



Scale drawing



Contact Arrangement



You can find the item description on the next page.

Technical data

Common values

| | |
|--------------------------|-------------------------|
| Connector Design | Female angled connector |
| Connector locking system | Bayonet |
| Termination | Solder |
| Wire gauge (mm) | 0.75 mm ² |
| Wire gauge (AWG) | 20 |
| Cable outlet | 6 - 8 mm |
| Upper temperature | 85 °C |
| Lower temperature | -40 °C |

Electrical values

| | |
|-----------------------|---------------------|
| Rated voltage | 250 V |
| Rated impulse voltage | 1500 V |
| Pollution degree | 1 |
| Overvoltage category | I |
| Material group | III |
| Rated current (40°C) | 7 A |
| Volume resistivity | ≤ 5 mΩ |
| EMV compliance | not shielded |
| Degree of protection | IP40 |
| Mechanical operation | > 500 mating cycles |

Material

| | |
|--------------------------|-----------------|
| Material of contact | CuSn (Bronze) |
| Contact plating | Ag (Silver) |
| Material of contact body | PBT (UL 94 V-0) |
| Material of housing | PA (UL 94 V-0) |

Contacts: 2, female angled connector, cable outlet 6 - 8 mm

Product sheet
Miniature connector



Product

**Contacts: 2, female angled connector,
cable outlet 6 - 8 mm**
2

Area
Article number

Bayonet IP40 Series 678
99 0602 72 02

Pole

Item description

