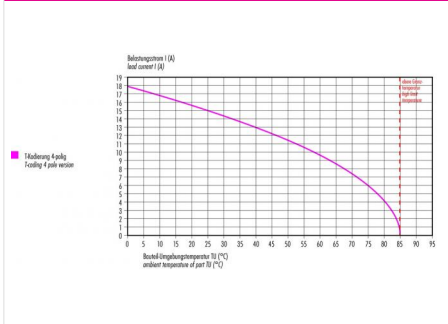


| | | | |
|---------|---|----------------|--------------------------|
| Product | Contacts: 4, Female cable connector, POWER, T-coding | Area | M 12-T Series 813 |
| Pole | 4 | Article number | 99 0630 19 04 |

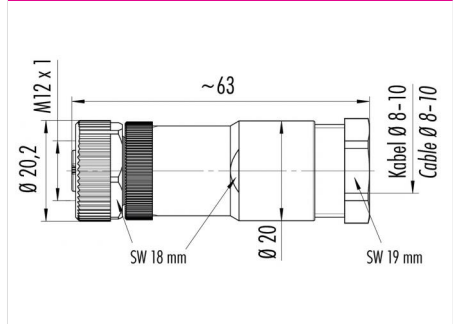
Deratingkurven



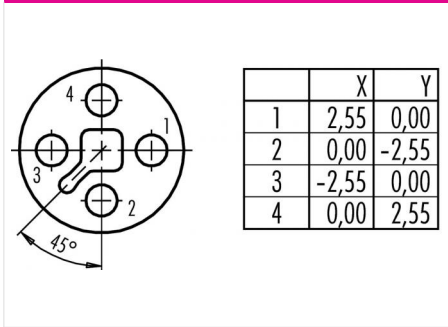
Illustration



Scale drawing



Contact Arrangement



You can find the assembly instruction on the next page.

Technical data

Common values

| | |
|--------------------------|------------------------|
| Connector Design | Female cable connector |
| Connector locking system | screw |
| Termination | schraubklemm |
| Wire gauge (mm) | 1.50 mm ² |
| Wire gauge (AWG) | 16 |
| Cable outlet | 8 - 10 mm |
| Upper temperature | 85 °C |
| Lower temperature | -40 °C |

Electrical values

| | |
|-----------------------|---------------------|
| Rated voltage | 63 V |
| Rated impulse voltage | 1500 V |
| Pollution degree | 3 |
| Overvoltage category | III |
| Material group | III |
| Rated current (40°C) | 12 A |
| Volume resistivity | ≤ 3 mΩ |
| Degree of protection | IP67 |
| Mechanical operation | > 100 mating cycles |

Material

| | |
|--------------------------|--------------|
| Material of contact | CuZn (Brass) |
| Contact plating | Au (Gold) |
| Material of contact body | PA |
| Material of housing | PA |

Contacts: 4, Female cable connector, POWER, T-coding

Product

Contacts: 4, Female cable connector,
POWER, T-coding
4

Area
Article number

M 12-T Series 813
99 0630 19 04

Pole

Installation instructions / Mounting cutout

