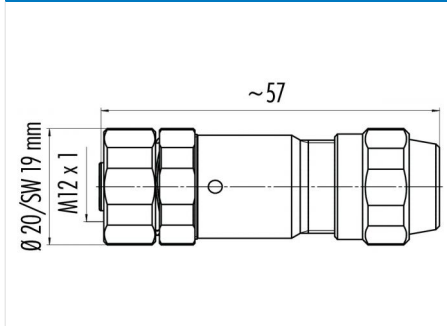


Product	Contacts 5: Female cable connector, shieldable, screw terminal connection, static ring version, stainless steel model, with UL approval	Area	M12-A Series 713
Pole	5	Article number	99 1436 991 05

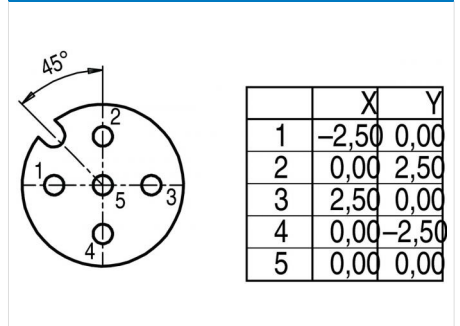
Illustration



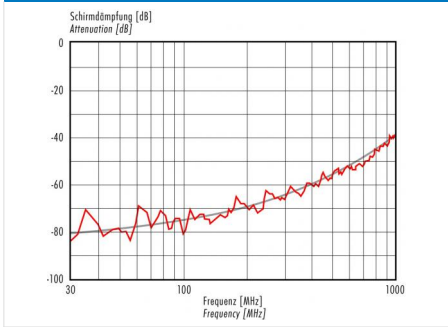
Scale drawing



Contact Arrangement



Attenuation characteristic



You can find the assembly instruction on the next page.

Technical data

Common values

Connector Design	Female cable connector
Connector locking system	screw
Termination	Screwing
Wire gauge (mm)	0.75 mm ²
Wire gauge (AWG)	18
Cable outlet	6 - 8 mm
Upper temperature	85 °C
Lower temperature	-40 °C

Electrical values

Rated voltage	125 V
Rated impulse voltage	1500 V
Pollution degree	3
Overvoltage category	II
Material group	II
Rated current (40°C)	4 A
Volume resistivity	≤ 3 mΩ
EMV compliance	shielded
Degree of protection	IP67
Mechanical operation	> 100 mating cycles

Material

Material of contact	CuZn (Brass)
Contact plating	Au (Gold)
Material of contact body	PA
Material of housing	Stainless steel 1.4404

Contacts 5: cable outlet: 3 - 5.5 mm, female cable connector, shieldable, screw connection, static ring version, stainless steel model

Product

Contacts 5: Female cable connector, shieldable, screw terminal connection, static ring version, stainless steel model, with UL approval

Area
Article number

**M12-A Series 713
99 1436 991 05**

Pole

5

Installation instructions / Mounting cutout

