

Product 718/768: protection cap for female panel mount connector, front mounting
Area M8

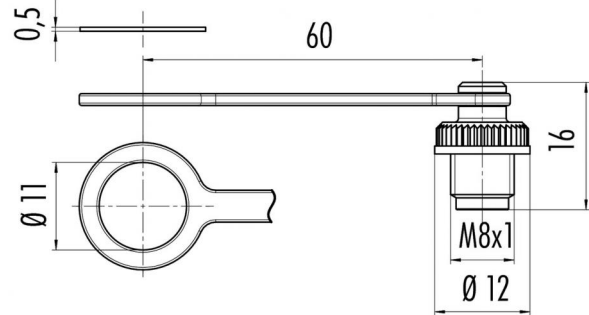
Article number 08 2973 000 000

Date: 2015-06-04 - Page 1 of 1

Illustration



Scale drawing



Matching products

- Female panel mount connector, front mounting, dip-solder
- Female panel mount connector, front mounting, with single wires
- Female panel mount connector, front mounting, with shielding sheet, dip-solder
- Female panel mount connector, angled, front mounting, with shielding sheet, dip-solder