

Product sheet

Miniature connector

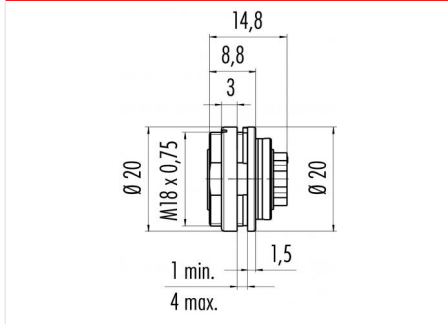


| | | | |
|---------|---|----------------|--------------------------------------|
| Product | Contacts: 7, Female panel mount connector, crimp, screwed from front | Area | M16 IP40 Series 581/ 680/ 682 |
| Pole | 7 | Article number | 09 0328 780 07 |

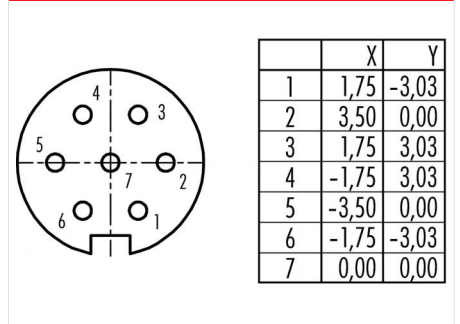
Illustration



Scale drawing



Contact Arrangement



You can find the assembly instruction on the next page.

Technical data

Common values

| | |
|--------------------------|--------------------------------------|
| Connector Design | Female panel mount connector |
| Connector locking system | screw |
| Termination | Crimp |
| Wire gauge (mm) | see crimp contacts under accessories |
| Cable outlet | - |
| Upper temperature | 85 °C |
| Lower temperature | -40 °C |

Electrical values

| | |
|-----------------------|---------------------|
| Rated voltage | 125 V |
| Rated impulse voltage | 800 V |
| Pollution degree | 1 |
| Overvoltage category | I |
| Material group | III |
| Rated current (40°C) | 5 A |
| Volume resistivity | ≤ 5 mΩ |
| EMV compliance | not shielded |
| Degree of protection | IP40 |
| Mechanical operation | > 500 mating cycles |

Material

| | |
|--------------------------|----------------------------|
| Material of contact | CuZn (Brass) |
| Contact plating | Ag (Silver) |
| Material of contact body | PBT (UL 94 V-0) |
| Material of housing | CuZn (Brass nickel-plated) |

Contacts: 7, Female panel mount connector, crimp, screwed from front

Product

Contacts: 7, Female panel mount
connector, crimp, screwed from front
7

Area
Article number

M16 IP40 Series 581/ 680/ 682
09 0328 780 07

Pole

Installation instructions / Mounting cutout

