

# Product sheet

## Miniature connector

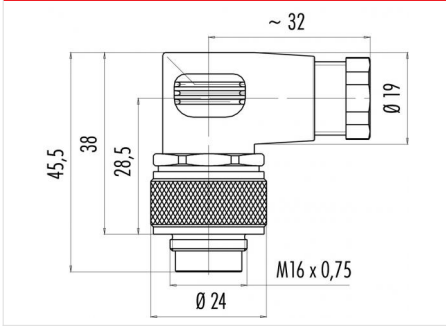


Product	<b>Contacts: 5, Male angled connector, cable outlet 4 – 6 mm</b>	Area	<b>M16 IP67 Series 723</b>
Pole	<b>5</b>	Article number	<b>99 0113 118 05</b>

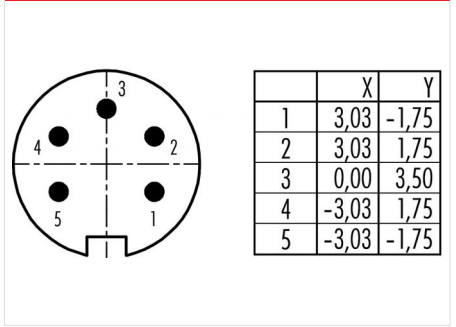
### Illustration



### Scale drawing



### Contact Arrangement



You can find the item description on the next page.

## Technical data

### Common values

Connector Design	Cable plug connector
Connector locking system	screw
Termination	Solder
Wire gauge (mm)	0.75 mm <sup>2</sup>
Wire gauge (AWG)	20
Cable outlet	4 - 6 mm
Upper temperature	95 °C
Lower temperature	-40 °C

### Electrical values

Rated voltage	250 V
Rated impulse voltage	1500 V
Pollution degree	1
Overvoltage category	I
Material group	III
Rated current (40°C)	6 A
Volume resistivity	≤ 3 mΩ
EMV compliance	not shielded
Degree of protection	IP67
Mechanical operation	> 500 mating cycles

### Material

Material of contact	CuZn (Brass)
Contact plating	Au (Gold)
Material of contact body	PBT (UL 94 V-0)
Material of housing	PA (UL 94 HB)

Contacts: 5, Male angled connector, cable outlet 4 - 6 mm, gold plated contacts

**Product sheet**  
**Miniature connector**

Product

**Contacts: 5, Male angled connector, cable outlet 4 – 6 mm**  
5

Area  
Article number

**M16 IP67 Series 723**  
**99 0113 118 05**

Pole

**Item description**

