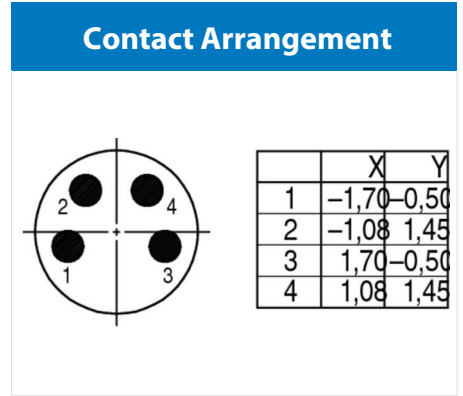
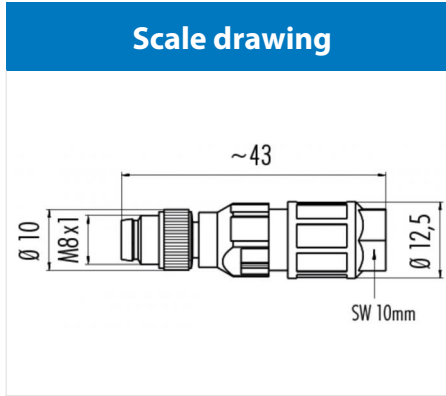


Product **contacts 4: male cable connector, IDT connection, wire gauge 0,25-0,5mm<sup>2</sup>**  
 Area **M8 Series 768**  
 Article number **99 3383 550 04**



**Technical data**

**General features**

Connector Design	Cable Connector
Connector locking system	bolted
Termination	cutting clamping
Wire gauge (mm)	0,25 -0,5 mm <sup>2</sup>
Wire gauge (AWG)	24 - 20
Cable outlet	2,5 - 5,2mm
Upper temperature	85 °C
Lower temperature	-25 °C

**Electrical parameters**

Rated voltage	60 V
Rated impulse voltage	800 V
Pollution degree	3
Overvoltage category	II
Material group	III
Rated current (40°C)	4 A
Volume resistivity	≤ 5 mΩ
EMV compliance	not shielded
Degree of protection	IP67

**Material**

Material of contact	CuZn (Messing)
Contact plating	Au (gold)
Material of contact body	TPU