

Technical Data

Mechanical Characteristics

Materials

Housing	PA UL94 V0 - black
Nut	PA UL94 V0 - black
Bulkhead protective cap	EPDM
Elastic band / Seal	EPDM
EC Directive 2002/95/EC (RoHS)	RoHS-compliant

Environmental Requirements

Protection against ingress

Particulate ingress	IP6X
Water / Immersion	IPX5
Degrees of protection provided by enclosures (IP code)	IEC 60529

Climatical and chemical

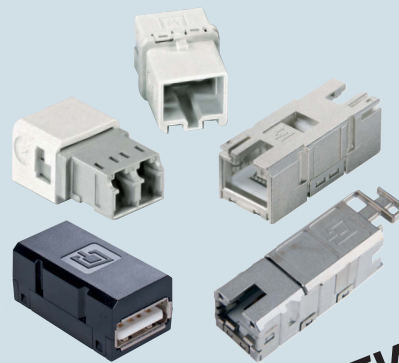
Ambient temperature	-40 °C bis / to + 70 °C
---------------------	-------------------------

cover for RJ45/USB/LC connectors



NEW

RJ45/USB/LC connectors for ATR C22



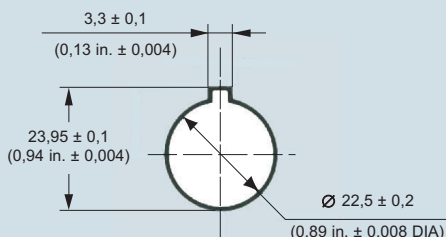
NEW

description	part No.	part No.
communication interface bulkhead IP65	ATR C22	
- RJ45 jack A Cat.6A *		AT 8IFT
- RJ45 coupler Cat.6		AT 8FT
- USB 2.0 coupler F-F Type A		AT U2F
- USB 3.0 coupler F-F Type A		AT U3F
- LC-Duplex adapter MM		AT LCMM
- LC-Duplex adapter SM		AT LCSSM

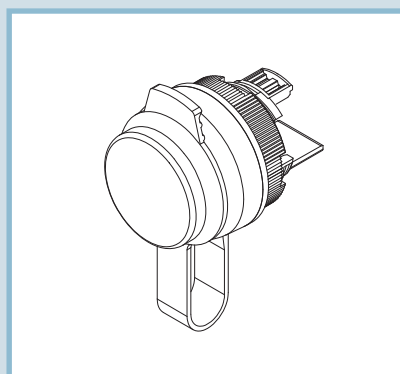
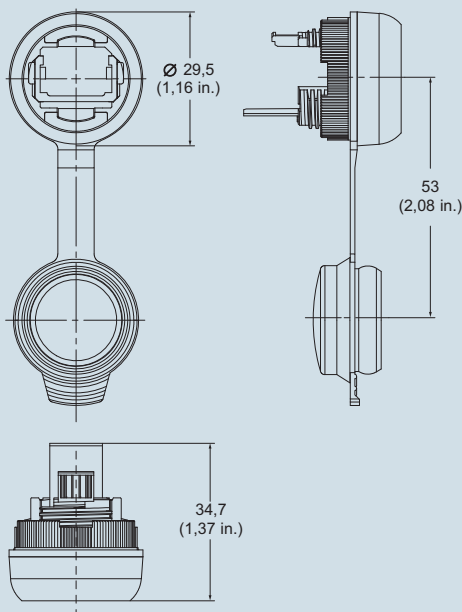
* jack B and jack P on request

Mounting dimensions

wall thickness 1-5 mm (0,039-0,197 in.)



dimensions in mm



dimensions shown are not binding and may be changed without notice

AT 8IFT (RJ45 IDC-FEMALE)

AT 8FT (RJ45 FEMALE-FEMALE)

AT U2F (USB 2.0)

AT U3F (USB 3.0)

AT LCMM - AT LCSSM (LC DUPLEX)