
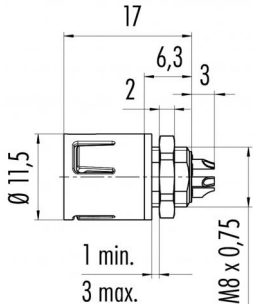
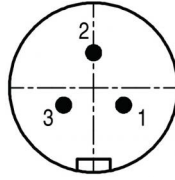


# Product sheet

## Subminiature connector



Product	<b>Contacts 3, male panel mount connector, blue</b>	Area	<b>Snap-in IP67 Series 620</b>
Pole	<b>3</b>	Article number	<b>99 9207 060 03</b>

Illustration	Scale drawing	Contact Arrangement												
		 <table border="1" style="margin-left: 20px;"> <thead> <tr> <th></th> <th>X</th> <th>Y</th> </tr> </thead> <tbody> <tr> <td>1</td> <td>1,82</td> <td>-1,05</td> </tr> <tr> <td>2</td> <td>0,00</td> <td>2,10</td> </tr> <tr> <td>3</td> <td>-1,82</td> <td>-1,05</td> </tr> </tbody> </table>		X	Y	1	1,82	-1,05	2	0,00	2,10	3	-1,82	-1,05
	X	Y												
1	1,82	-1,05												
2	0,00	2,10												
3	-1,82	-1,05												

You can find the item description and assembly instruction on the next page.

## Technical data

### Common values

Connector Design	Male panel mount connector
Connector locking system	Snap
Wire gauge (mm)	0.25 mm <sup>2</sup>
Wire gauge (AWG)	24
Cable outlet	3 - 5 mm
Upper temperature	85 °C
Lower temperature	-25 °C

### Cable data

material housing	-
Insulation single lead	-
Single lead structure	-
Conductor resistance	-

### Electrical values

Rated voltage	125 V
Rated impulse voltage	1500 V
Pollution degree	2
Overvoltage category	II
Material group	II
Rated current (40°C)	3 A
Volume resistivity	≤ 3 mΩ
EMV compliance	not shielded
Degree of protection	IP67
Mechanical operation	> 500 mating cycles

### Material

Material of contact	CuZn (Brass)
Contact plating	Au (Gold)
Material of contact body	PA (UL 94 V-0)
Material of housing	PA (UL 94 V-0)

Contacts: 3, male panel mount connector, blue

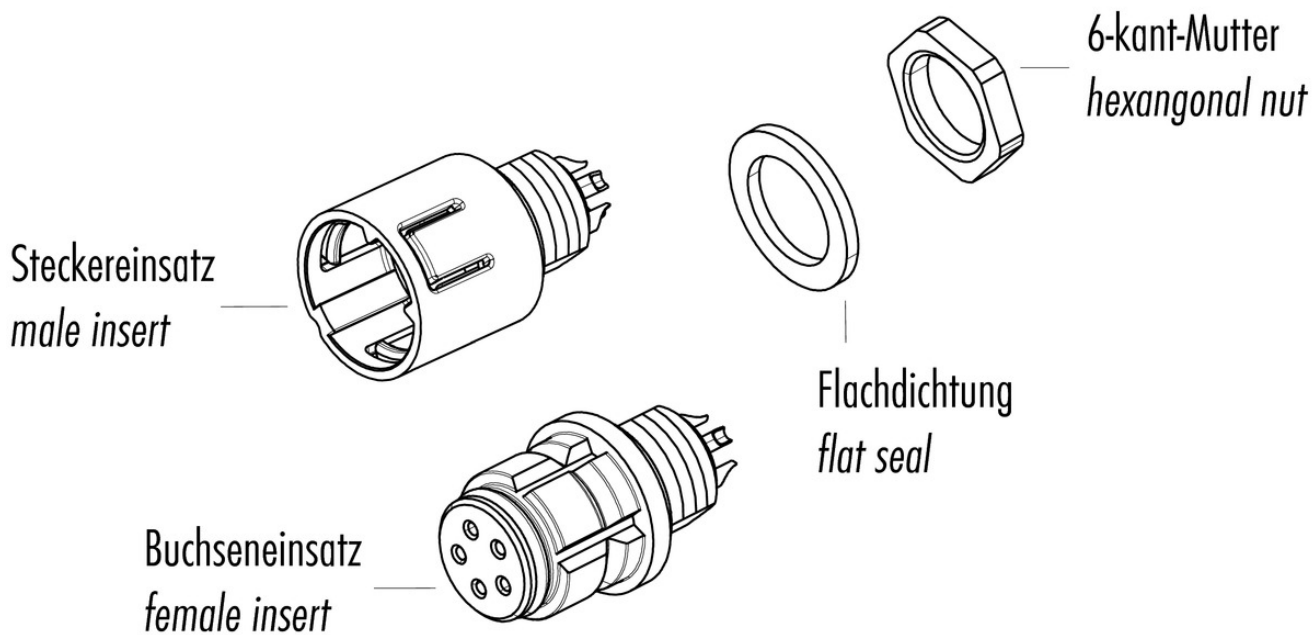
Product  
Pole

Contacts 3, male panel mount connector,  
blue  
3

Area  
Article number

Snap-in IP67 Series 620  
99 9207 060 03

### Item description



### Installation instructions / Mounting cutout

