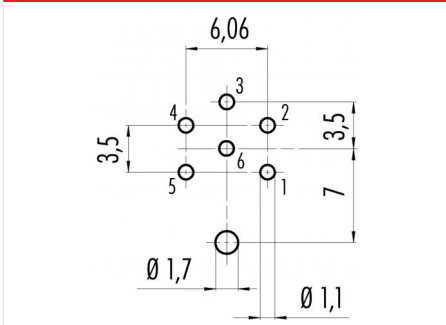


Product	<b>Polzahl: 6 DIN, Flanschstecker, tauchlöten, von vorn verschraubbar, mit Schirmanbindung 6 DIN</b>	Area	<b>M16 IP67 Series 423/ 723/ 425</b>
Pole		Article number	<b>09 01 23 290 06</b>

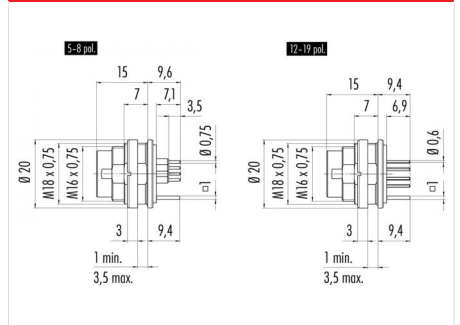
**Illustration**



**Conductor layout**



**Scale drawing**



**Technical data**

**Common values**

Connector Design	Male panel mount connector
Connector locking system	screw
Wire gauge (mm)	-
Wire gauge (AWG)	-
Upper temperature	95 °C
Lower temperature	-40 °C

**Electrical values**

Rated voltage	250 V
Rated impulse voltage	1500 V
Pollution degree	1
Overvoltage category	I
Material group	III
Rated current (40°C)	5 A
Volume resistivity	≤ 5 mΩ
Degree of protection	IP67
Mechanical operation	> 500 mating cycles

**Material**

Material of contact	CuZn (Brass)
Contact plating	Ag (Silver)
Material of contact body	PBT (UL 94 V-0)
Material of housing	Nickel-plated zinc die casting, nickel-plated brass

Polzahl: 6 DIN, Flanschstecker, tauchlöten, von vorn verschraubbar, versilberte Kontakte, mit Schirmanbindung