

Product **Contacts: 4, Female panel mount connector, screwed from front, with single wires, 0.25 mm², PG 9**
 Area **M12-A Series 713/763**
 Article number **76 0532 1011 00004-0200**

Illustration	Scale drawing	Contact Arrangement															
	<p>Ausführung mit Zink Druckgussgehäuse Version with zinc diecasted housing</p>	<table border="1" style="margin: 10px 0;"> <thead> <tr> <th></th> <th>X</th> <th>Y</th> </tr> </thead> <tbody> <tr> <td>1</td> <td>-2,50</td> <td>0,00</td> </tr> <tr> <td>2</td> <td>0,00</td> <td>2,50</td> </tr> <tr> <td>3</td> <td>2,50</td> <td>0,00</td> </tr> <tr> <td>4</td> <td>0,00</td> <td>-2,50</td> </tr> </tbody> </table> <p>1 braun/brown 2 weiß/white 3 blau/blue 4 schwarz/black</p> <p>Geschirmte Versionen: Schirm auf Gehäuse Shielded versions: shield on housing</p>		X	Y	1	-2,50	0,00	2	0,00	2,50	3	2,50	0,00	4	0,00	-2,50
	X	Y															
1	-2,50	0,00															
2	0,00	2,50															
3	2,50	0,00															
4	0,00	-2,50															

You can find the assembly instruction on the next page.

Technical data

General features

Connector Design	female panel mount connector
Connector locking system	bolted
Termination	Strands
Wire gauge (mm)	0,25 mm ²
Wire gauge (AWG)	24
Upper temperature	85 °C
Lower temperature	-40 °C

Electrical parameters

Rated voltage	250 V
Rated impulse voltage	2500 V
Pollution degree	3
Overvoltage category	II
Material group	II
Rated current (40°C)	4 A
Volume resistivity	≤ 3 mΩ
EMV compliance	not shielded
Degree of protection	IP68
Mechanical operation	> 100 Mating cycles

Material

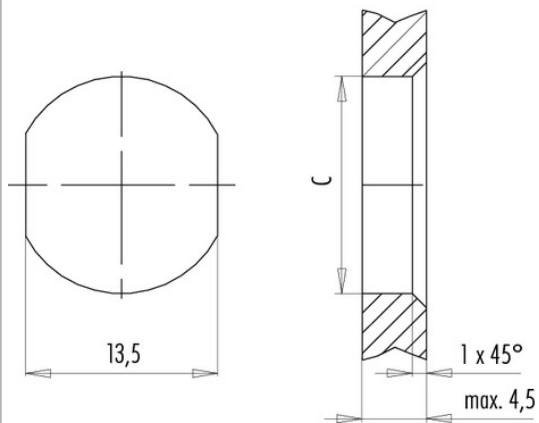
Material of contact	CuSn (Bronze)
Contact plating	Au (gold)
Material of contact body	PA

Product **Contacts: 4, Female panel mount connector, screwed from front, with single wires, 0.25 mm², PG 9**
 Area **M12-A Series 713/763**
 Article number **76 0532 1011 00004-0200**

Installation instructions / Mounting cutout

Mit Fläche als Verdrehenschutz
With flats as anti-rotation device

Mit Durchgangsbohrung
With bore hole



	C
PG 9	15,3
M16x1,5	16,1

Anzugsdrehmoment/Tightening moment

Metallgehäuse/Metal housing 6,25 Nm
 Kunststoffgehäuse/Plastic housing 3,75 Nm