
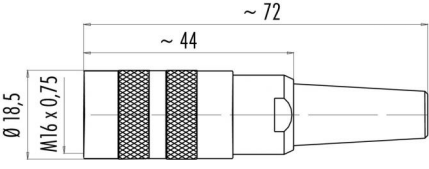
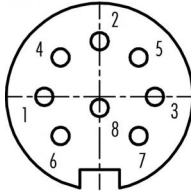


Product sheet

Miniature connector



Product	Contacts: 8 DIN, Female cable connector with solder eye, shieldable, cable outlet 6 - 8 mm	Area	M16 IP40 Series 581
Pole	8 DIN	Article number	99 2062 92 08

Illustration	Scale drawing	Contact Arrangement																											
		 <table border="1" style="margin-left: auto; margin-right: auto;"> <thead> <tr> <th></th> <th>X</th> <th>Y</th> </tr> </thead> <tbody> <tr><td>1</td><td>-3,50</td><td>0,00</td></tr> <tr><td>2</td><td>0,00</td><td>3,50</td></tr> <tr><td>3</td><td>3,50</td><td>0,00</td></tr> <tr><td>4</td><td>-2,47</td><td>2,47</td></tr> <tr><td>5</td><td>2,47</td><td>2,47</td></tr> <tr><td>6</td><td>-2,47</td><td>-2,47</td></tr> <tr><td>7</td><td>2,47</td><td>-2,47</td></tr> <tr><td>8</td><td>0,00</td><td>-0,70</td></tr> </tbody> </table>		X	Y	1	-3,50	0,00	2	0,00	3,50	3	3,50	0,00	4	-2,47	2,47	5	2,47	2,47	6	-2,47	-2,47	7	2,47	-2,47	8	0,00	-0,70
	X	Y																											
1	-3,50	0,00																											
2	0,00	3,50																											
3	3,50	0,00																											
4	-2,47	2,47																											
5	2,47	2,47																											
6	-2,47	-2,47																											
7	2,47	-2,47																											
8	0,00	-0,70																											

You can find the item description on the next page.

Technical data

Common values

Connector Design	Female cable connector
Connector locking system	screw
Termination	Solder
Wire gauge (mm)	0.75 mm ²
Wire gauge (AWG)	20
Cable outlet	6 - 7.8 mm
Upper temperature	85 °C
Lower temperature	-40 °C

Electrical values

Rated voltage	60 V
Rated impulse voltage	500 V
Pollution degree	1
Overvoltage category	I
Material group	III
Rated current (40°C)	5 A
Volume resistivity	≤ 3 mΩ
EMV compliance	shielded
Degree of protection	IP40
Mechanical operation	> 500 mating cycles

Material

Material of contact	CuSn (Bronze)
Contact plating	Au (Gold)
Material of contact body	PBT (UL 94 V-0)
Material of housing	CuZn (Brass nickel-plated)

Contacts: 8 DIN, Female cable connector with solder eye, shieldable, cable outlet 6 - 8 mm, gold plated contacts

Product	Contacts: 8 DIN, Female cable connector with solder eye, shieldable, cable outlet 6 - 8 mm	Area	M16 IP40 Series 581
Pole	8 DIN	Article number	99 2062 92 08

Item description

