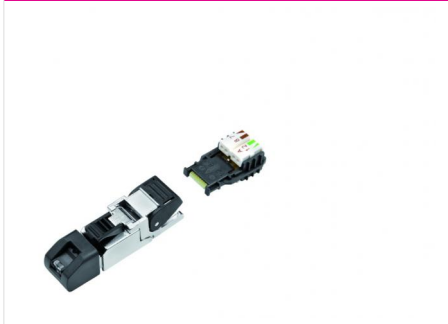
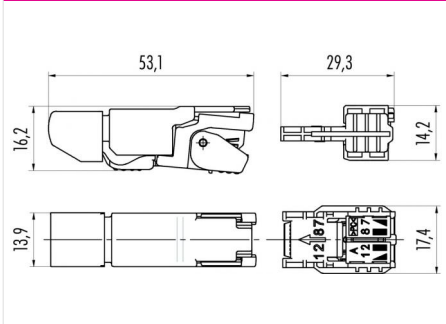


Product	<b>Contacts: 8, RJ45 male connector, shieldable, CAT 6A, cable outlet 5-9 mm</b>	Area	<b>M12-D, M12-X Series 825 X-coding</b>
Pole	<b>8</b>	Article number	<b>99 9687 805 08</b>

**Illustration**



**Scale drawing**



**Technical data**

**Common values**

Connector Design	RJ45 male connector
Connector locking system	Snap-in lock
Termination	Penetration technology
Wire gauge (AWG)	27 - 22
Cable outlet	5 - 9 mm
Upper temperature	85 °C
Lower temperature	-40 °C

**Cable data**

material housing	-
Insulation single lead	-
Single lead structure	-
Conductor resistance	-
Bending radius cable fixed	-
Bending radius cable movable	-

**Electrical values**

Rated voltage	50 V
Pollution degree	2
Overvoltage category	III
Material group	III a
Rated current (40°C)	1.3 A
Volume resistivity	≤ 20 mΩ
EMV compliance	schirmbar
Degree of protection	IP20
Mechanical operation	> 750 mating cycles

**Material**

Material of contact	Spring steel
Contact plating	Au (Gold)
Material of contact body	PC
Material of housing	Nickel-plated zinc die casting

cable outlet: 5 - 9 mm, Contacts: 8, RJ45 male connector, shieldable, CAT 6A, cross-section AWG 26/1-AWG 24/1, AWG 27/7-AWG 24/7