

Product 718/768: protection cap for male panel mount connector, front mounting  
Area M8

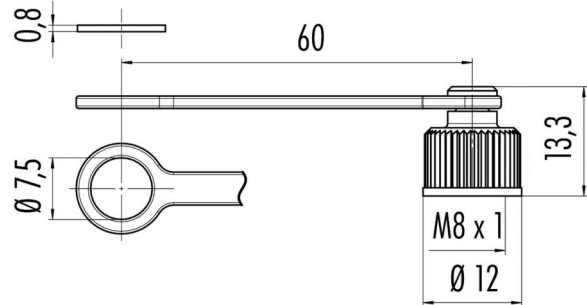
Article number 08 2972 000 000

Date: 2015-06-04 - Page 1 of 1

#### Illustration



#### Scale drawing



#### Matching products

- Male panel mount connector, screwed from front, dip-solder
- Male panel mount connector, front mounting, with single wires
- Male panel mount connector, screwed from front, with shielding sheet, dip-solder
- Male panel mount connector, angled, screwed from front, with shielding sheet, dip-solder