
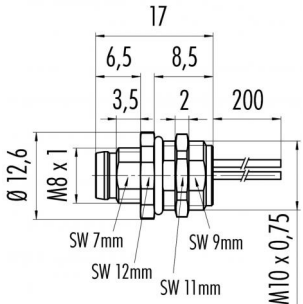
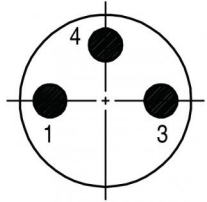


Product	Contacts: 3, Male panel mount connector with single wires, fixing thread, M10 x 0.75	Area	M8 Series 768/718
Pole	3	Article number	09 3419 00 03

Illustration	Scale drawing	Contact Arrangement						
		 <table style="margin-left: 20px;"> <tr> <td>1</td> <td>braun/brown</td> </tr> <tr> <td>3</td> <td>blau/blue</td> </tr> <tr> <td>4</td> <td>schwarz/black</td> </tr> </table>	1	braun/brown	3	blau/blue	4	schwarz/black
1	braun/brown							
3	blau/blue							
4	schwarz/black							

You can find the assembly instruction on the next page.

Technical data

Common values

Connector Design	Male panel mount connector
Connector locking system	screw
Termination	Single wires 0.25
Wire gauge (mm)	0.25 mm ²
Wire gauge (AWG)	24
Upper temperature	85 °C
Lower temperature	-40 °C

Electrical values

Rated voltage	60 V
Rated impulse voltage	800 V
Pollution degree	3
Overvoltage category	II
Material group	II
Rated current (40°C)	4 A
Volume resistivity	≤ 3 mΩ
Degree of protection	IP67
Mechanical operation	> 100 mating cycles

Material

Material of contact	CuZn (Brass)
Contact plating	Au (Gold)
Material of contact body	PA (UL 94 HB)
Material of housing	Nickel-plated zinc die casting

Contacts: 3, Male panel mount connector with single wires, fixing thread, M10 x 0.75

Product

**Contacts: 3, Male panel mount connector
with single wires, fixing thread, M10 x 0.75**
3

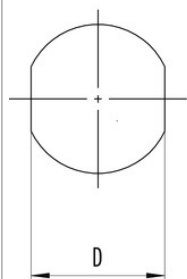
Area
Article number

M8 Series 768/718
09 3419 00 03

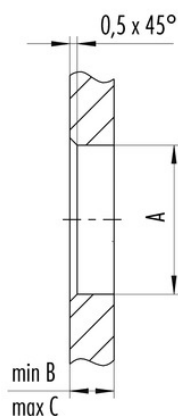
Pole

Installation instructions / Mounting cutout

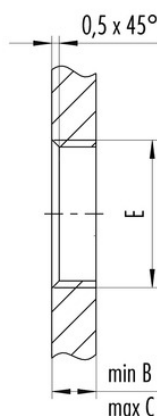
Mit Fläche als Verdrehenschutz
With flats as anti-rotation device



Mit Durchgangsbohrung
With bore hole



Mit Gewinde, einschraubbar
With thread to screw in



Gewinde E/thread E	A	B	C	D
M8 x 0,5	8,1	2,5	4,5	7,1
M10 x 0,75	10,1	2,5	5,0	9,1

Anzugsdrehmoment/Tightening moment 1 Nm