

# Product sheet

## Miniature connector

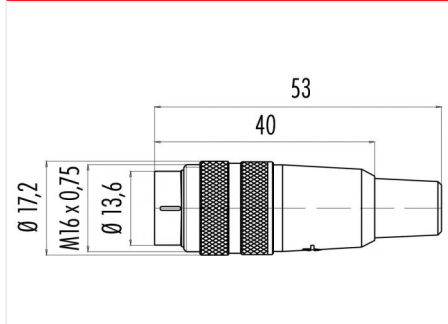


|         |  |                |                            |
|---------|--|----------------|----------------------------|
| Product | <b>Contacts: 16, cable plug connector, cable outlet 6 - 7.8 mm</b> | Area           | <b>M16 IP40 Series 680</b> |
| Pole    | <b>16</b>  | Article number | <b>09 0337 02 16</b>       |

### Illustration



### Scale drawing



### Contact Arrangement

|   | X     | Y     |
|---|-------|-------|
| A | -2,50 | -4,00 |
| B | -4,00 | -2,25 |
| C | -4,25 | 0,00  |
| D | -4,00 | 2,40  |
| E | -2,30 | 4,00  |
| F | 0,00  | 4,25  |
| G | 2,30  | 4,00  |
| H | 4,00  | 2,40  |
| I | 4,25  | 0,00  |
| K | 4,00  | -2,25 |
| L | 2,50  | -4,00 |
| M | 0,00  | -2,60 |
| N | -2,45 | -0,80 |
| O | -1,50 | 2,10  |
| P | 1,50  | 2,10  |
| R | 2,40  | -0,80 |

You can find the item description on the next page.

## Technical data

### Common values

|                          |                      |
|--------------------------|----------------------|
| Connector Design         | Cable plug connector |
| Connector locking system | screw                |
| Termination              | Solder               |
| Wire gauge (mm)          | 0.25 mm <sup>2</sup> |
| Wire gauge (AWG)         | 24                   |
| Cable outlet             | 6 - 7.8 mm           |
| Upper temperature        | 85 °C                |
| Lower temperature        | -40 °C               |

### Electrical values

|                       |                     |
|-----------------------|---------------------|
| Rated voltage         | 60 V                |
| Rated impulse voltage | 500 V               |
| Pollution degree      | 1                   |
| Overvoltage category  | I                   |
| Material group        | III                 |
| Rated current (40°C)  | 3 A                 |
| Volume resistivity    | ≤ 3 mΩ              |
| EMV compliance        | not shielded        |
| Degree of protection  | IP40                |
| Mechanical operation  | > 500 mating cycles |

### Material

|                          |                 |
|--------------------------|-----------------|
| Material of contact      | CuZn (Brass)    |
| Contact plating          | Au (Gold)       |
| Material of contact body | PBT (UL 94 V-0) |
| Material of housing      | PA (UL 94 HB)   |

Contacts: 16, cable plug connector, cable outlet 6 - 7.8 mm, gold plated contacts

**Product sheet**  
**Miniature connector**

Product

**Contacts: 16, cable plug connector, cable outlet 6 - 7.8 mm**  
**16**

Area  
Article number

**M16 IP40 Series 680**  
**09 0337 02 16**

Pole

**Item description**

