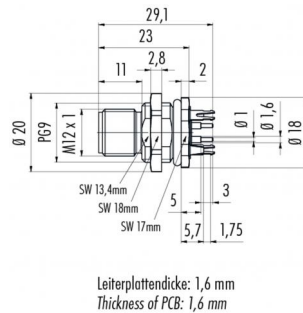


Product **Contacts: 12, Male panel mount connector, screwed from front, dip-soldered, with shielding sheet, PG 9**
 Area **M12-A Series 713/763**
 Article number **86 0531 1120 00012**

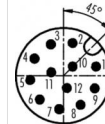
Illustration



Scale drawing



Contact Arrangement



	X	Y
1	2,80	0,78
2	0,78	2,80
3	-1,09	2,69
4	-2,51	1,46
5	-2,88	-0,37
6	-2,05	-2,05
7	-0,37	-2,88
8	1,46	-2,51
9	2,69	-1,09
10	0,78	0,78
11	-1,06	0,29
12	0,29	-1,06

- 1 braun/brown
- 2 blau/blue
- 3 weiß/white
- 4 grün/green
- 5 rosa/pink
- 6 gelb/yellow
- 7 schwarz/black
- 8 grau/grey
- 9 rot/red
- 10 violett/purple
- 11 grau/rosa/grey/pink
- 12 rot/blau/red/blue

Geschirmte Versionen: Schirm auf Gehäuse
Shielded versions: shield on housing

You can find the assembly instruction on the next page.

Technical data

General features

Connector Design male panel mount connector
 Connector locking system bolted
 Termination dip-solder
 Upper temperature 85 °C
 Lower temperature -40 °C

Cable data

Approval 1 UL

Electrical parameters

Rated voltage 30 V
 Rated impulse voltage 800 V
 Pollution degree 3
 Overvoltage category II
 Material group II
 Rated current (40°C) 2 A
 Volume resistivity ≤ 3 mΩ
 EMV compliance not shielded
 Degree of protection IP68
 Mechanical operation > 100 Mating cycles

Material

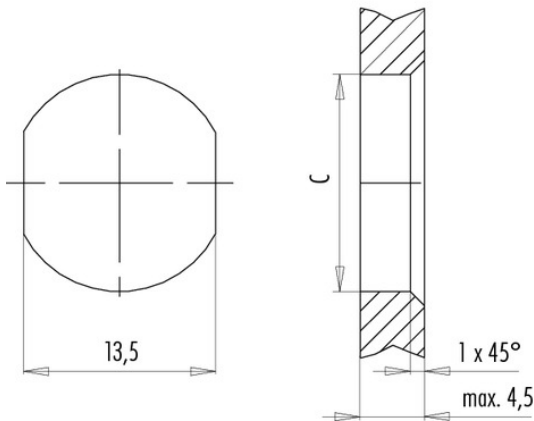
Material of contact CuZn (Messing)
 Contact plating Au (gold), shielding sheet
 Material of contact body PA

Product **Contacts: 12, Male panel mount connector, screwed from front, dip-soldered, with shielding sheet, PG 9**
 Area **M12-A Series 713/763**
 Article number **86 0531 1120 00012**

Installation instructions / Mounting cutout

Mit Fläche als Verdrehschutz
With flats as anti-rotation device

Mit Durchgangsbohrung
With bore hole



	C
PG 9	15,3
M16x1,5	16,1

Anzugsdrehmoment/Tightening moment

Metallgehäuse/Metal housing 6,25 Nm
 Kunststoffgehäuse/Plastic housing 3,75 Nm

Installation instructions / Mounting cutout

