

Product
Area

713-825,772/775: Protection cap for M12 distributor and female connector, IP 67
M12-US

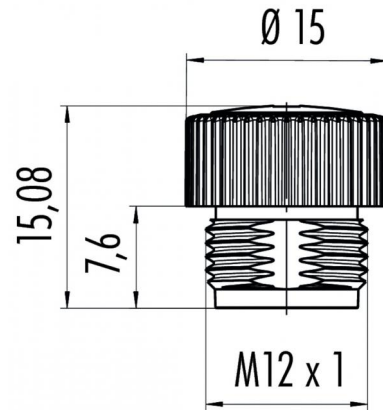
Article number

08 2769 000 000

Illustration



Scale drawing



Matching products

Female cable connector M12 x 1

Female cable connector ½ " UNF with UL approval

Female angled connector M12 x 1, screw

Female angled connector ½ " UNF, screw, with UL approval