

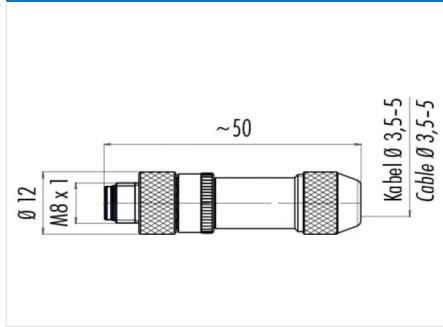
Product **Contacts: 4, Cable plug connector, shieldable, solder**

Area **M8 Series 768**
Article number **99 3363 00 04**

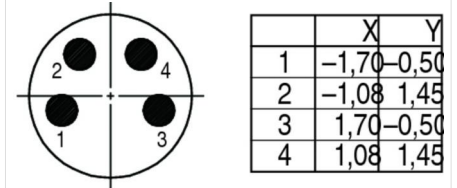
Illustration



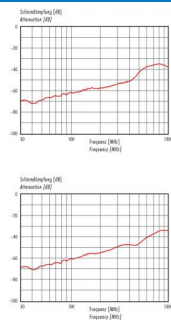
Scale drawing



Contact Arrangement



Attenuation characteristics



You can find the item description and assembly instruction on the next page.

Technical data

General features

Connector Design	Cable Connector
Connector locking system	bolted
Termination	solder
Wire gauge (mm)	0,25 mm ²
Wire gauge (AWG)	24
Cable outlet	3,5 – 5 mm
Upper temperature	85 °C
Lower temperature	-40 °C

Cable data

Approval 1	UL listed
------------	-----------

Electrical parameters

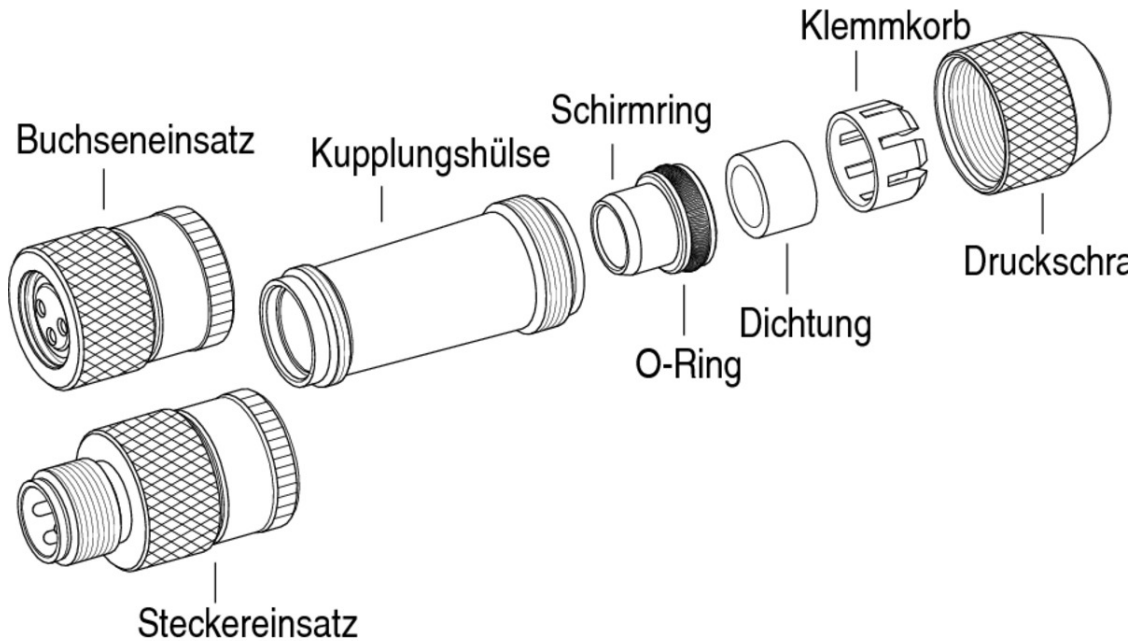
Rated voltage	30 V
Rated impulse voltage	800 V
Pollution degree	3
Overvoltage category	II
Material group	III
Rated current (40°C)	4 A
Volume resistivity	≤ 3 mΩ
EMV compliance	shielded
Degree of protection	IP67

Material

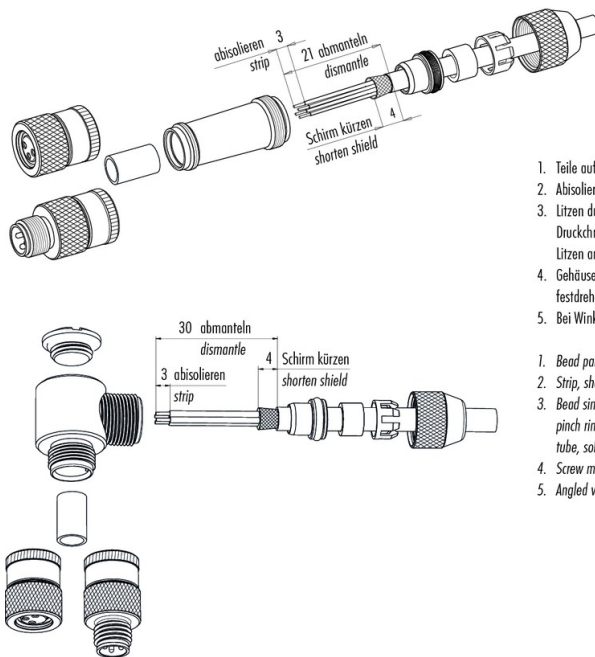
Material of contact	CuZn (Messing)
Contact plating	Au (gold)
Material of contact body	PA (UL 94 HB)

Product **Contacts: 4, Cable plug connector, shieldable, solder**
 Area **M8 Series 768**
 Article number **99 3363 00 04**

Item description



Installation instructions / Mounting cutout

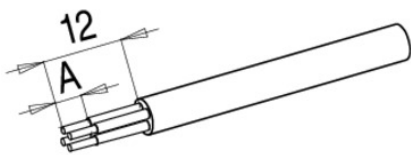


1. Teile auffädeln.
2. Abisolieren, Schirm kürzen, aufweiten und um Schirming legen.
3. Litzen durch Gehäuse fädeln, Schirmring, Dichtung, Klemmkorb montieren. Druckschraube andrehen, um das Kabel zu fixieren. Isolierschlauch auffädeln, Litzen anlöten und Isolierschlauch montieren.
4. Gehäuse mit Stecker- bzw. Buchseneinsatz verschrauben und Druckschraube festdrehen.
5. Bei Winkelversion Verschlusschraube anziehen.

1. Bead parts on cable.
2. Strip, shorten, widen shield and lay around shielding ring.
3. Bead single wires through housing, mount shieldingring, sealing ring and pinch ring. Slightly tighten pressing screw to fix the cable. Bead insulating tube, solder single wires and mount insulating tube.
4. Screw male or female contact carrier to housing and tighten pressing screw.
5. Angled version: tighten locking screw.

Product **Contacts: 4, Cable plug connector, shieldable, solder**
 Area **M8 Series 768**
 Article number **99 3363 00 04**

Installation instructions / Mounting cutout



	Schraubklemmversion <i>screw connection</i>	Lötversion <i>solder version</i>
Maß A/mm <i>measure A/mm</i>	4	3