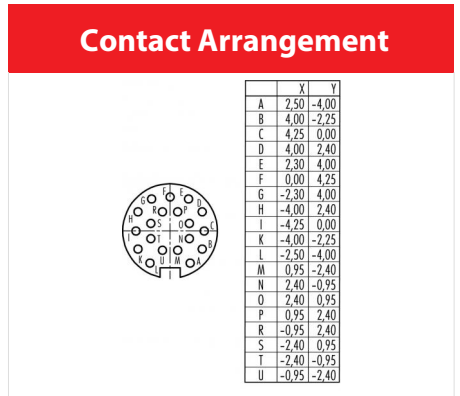
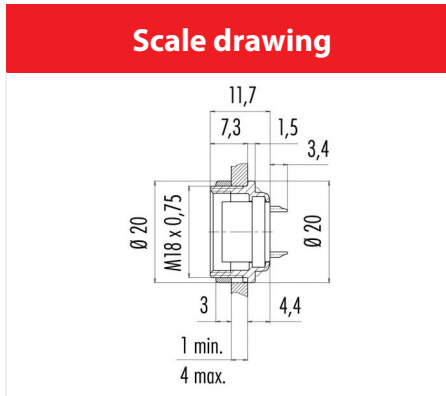


# Product sheet

## Miniature connector



Product	<b>Contacts: 19, Female panel mount connector, solder, screwed from front, 12 - 19 contacts</b>	Area	<b>M16 IP40 Series 581/ 680/ 682</b>
Pole	<b>19</b>	Article number	<b>09 0336 80 19</b>



You can find the assembly instruction on the next page.

## Technical data

### Common values

Connector Design	Female panel mount connector
Connector locking system	screw
Termination	Solder
Wire gauge (mm)	0.25 mm <sup>2</sup>
Wire gauge (AWG)	24
Upper temperature	85 °C
Lower temperature	-40 °C

### Electrical values

Rated voltage	60 V
Rated impulse voltage	500 V
Pollution degree	1
Overvoltage category	I
Material group	III
Rated current (40°C)	3 A
Volume resistivity	≤ 3 mΩ
EMV compliance	shielded
Degree of protection	IP40
Mechanical operation	> 500 mating cycles

### Material

Material of contact	CuSn (Bronze)
Contact plating	Au (Gold)
Material of contact body	PBT (UL 94 V-0)
Material of housing	Nickel-plated zinc die casting

Contacts: 19, Female panel mount connector, solder, screwed from front, 12 - 19 contacts, gold plated contacts

**Product sheet**  
**Miniature connector**



Product

**Contacts: 19, Female panel mount connector, solder, screwed from front, 12 - 19 contacts**

Area  
Article number

**M16 IP40 Series 581/ 680/ 682  
09 0336 80 19**

Pole

19

**Installation instructions / Mounting cutout**

