

Product description	Bajonett HEC female cable connector, Contacts: 4+PE, 7.0 - 17.0 mm, Shielding is not possible, crimp (Crimp contacts must be ordered separately), IP68/IP69K, UL, VDE
Area	Bajonett HEC series 696
Order number	99 6490 000 05

Illustration	Scale drawing	Contact arrangement																		
		<table border="1" style="margin-left: auto; margin-right: auto;"> <thead> <tr> <th></th> <th>X</th> <th>Y</th> </tr> </thead> <tbody> <tr> <td>1</td> <td>3,82</td> <td>5,26</td> </tr> <tr> <td>2</td> <td>6,18</td> <td>-2,01</td> </tr> <tr> <td>3</td> <td>-6,18</td> <td>-2,01</td> </tr> <tr> <td>4</td> <td>-3,82</td> <td>5,26</td> </tr> <tr> <td>PE</td> <td>0</td> <td>-6,50</td> </tr> </tbody> </table>		X	Y	1	3,82	5,26	2	6,18	-2,01	3	-6,18	-2,01	4	-3,82	5,26	PE	0	-6,50
	X	Y																		
1	3,82	5,26																		
2	6,18	-2,01																		
3	-6,18	-2,01																		
4	-3,82	5,26																		
PE	0	-6,50																		

You can find the component part drawing and assembly instructions on the next page.

Technical data

General values

Connector design	female cable connector
Connector locking system	Bayonet
Termination	crimp (Crimp contacts must be ordered separately)
Wire gauge (mm)	2.50 - 6.00 mm ²
Wire gauge (AWG)	14 - 10
Cable outlet	7.0 - 17.0 mm
Upper limit temperature	100 °C
Lower limit temperature	- 40 °C
Customs tariff number	85369010

Electrical values

Rated current (40 °C)	32 A
Rated voltage	600 V
Rated impulse voltage	6000 V
Pollution degree	3
Overvoltage category	III
Insulating material group	I
Insulation resistance	> 10 ⁸ Ω
EMC compliance	Shielding is not possible
Degree of protection	IP68/IP69K
Mechanical operation	> 1000 Mating cycles

Cable data

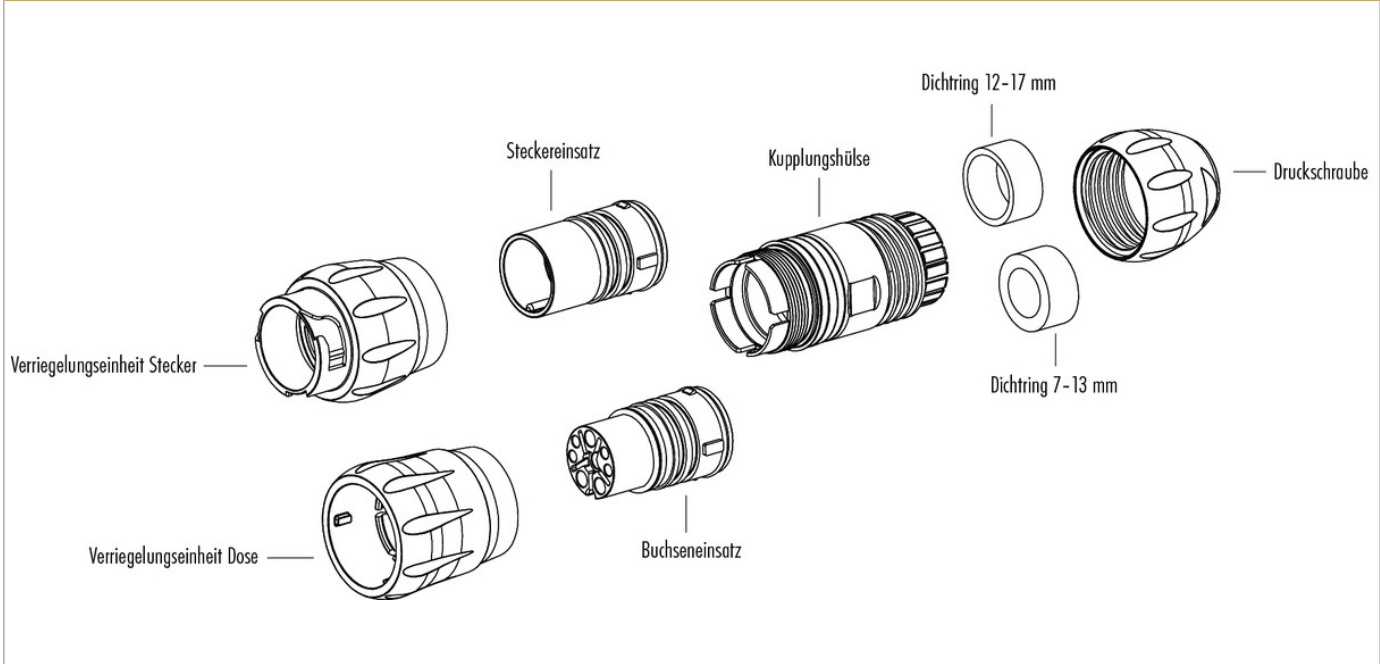
Approval 1	UL
Approval 2	VDE

Material

Contact material	depending on crimp contact (accessory)
Contact body material	PA

Product description	Bajonett HEC female cable connector, Contacts: 4+PE, 7.0 - 17.0 mm, Shielding is not possible, crimp (Crimp contacts must be ordered separately), IP68/IP69K, UL, VDE
Area	Bajonett HEC series 696
Order number	99 6490 000 05

Component part drawing



Assembly instructions / Panel cut-out

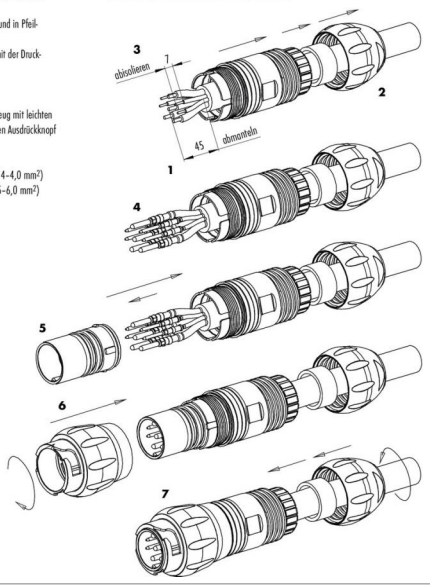
1. Abmonteln auf Länge l = Xmm, Ummantelung abstreifen.
2. Druckschraube, Dichtring und Kupplungshülse auf Kabel aufstecken.
3. Litzen abisolieren l = Ymm.
4. Kontakte ancrimpen.*
5. Angecrimte Kontakte in den Kontaktkörper bis zum Einrasten eindrücken und diesen in die Kupplungshülse bis auf Anschlag schieben.
6. Verriegelungseinheit am Gewinde der Kupplungshülse aufsetzen und in Pfeilrichtung bis auf Anschlag festschrauben.
7. Den Dichtring in den Klemmkorb bis auf Anschlag schieben und mit der Druckschraube festschrauben. (empfohlenes Drehmoment 400Nm)

Polzahl	Kontakt-Ø	Länge X	Länge Y
8	Ø 1,6 mm	45 mm	8 mm
8	Ø 2,5 mm	45 mm	8 mm
5	Ø 3,6 mm	50 mm	12 mm

Lösen der Kontakte:
Da die Kontakte schwimmend gelagert sind, lässt sich das Lösewerkzeug mit leichten Pendelbewegungen bis auf Anschlag einführen. Danach zum Lösen den Ausdrückknopf betätigen.

* Crimpzange BestellNr. 66 0003 001 (für 0,14-4,0 mm²)
 66 0005 000 (für 1,5-6,0 mm²)

Lösewerkzeug Kontakt Ø 1,6 mm 66 0004 001
 Ø 2,5 mm 66 0011 001
 Ø 3,6 mm 66 0012 001



Product description	Bajonett HEC female cable connector, Contacts: 4+PE, 7.0 - 17.0 mm, Shielding is not possible, crimp (Crimp contacts must be ordered separately), IP68/IP69K, UL, VDE
Area	Bajonett HEC series 696
Order number	99 6490 000 05

Security notices

The connector must not be connected or separated under load. Non-observance and incorrect use can result in personal injury.

The connectors are designed for use in plant, control system and electrical equipment. The end user is responsible for checking whether the connectors are suitable for use in other applications.

Connectors used in electrical circuits containing hazardous life parts must only be assembled and used by or under the supervision of persons with the requisite electrotechnical training, taking the applicable regulations and standards into account.