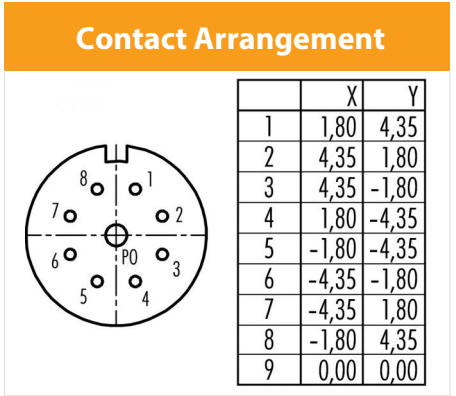
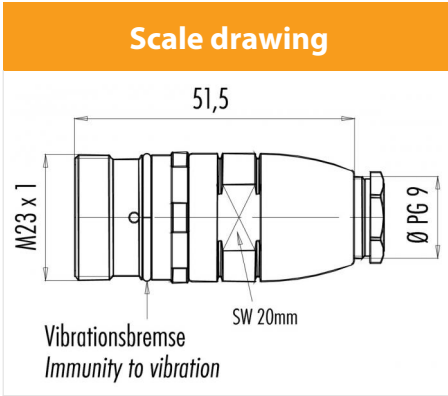


Product sheet

Output connector



Product	Contacts: 9, Coupling socket, (the pin and socket insert counter-rotate in right and left turning models)	Area	M23 Power Series 623
Pole	9	Article number	99 4614 10 09



Technical data

Common values

Connector Design	Coupling socket
Connector locking system	screw
Termination	Solder
Wire gauge (mm)	8x1.5/ 1x2.5 mm ²
Wire gauge (AWG)	8x16/ 1x14
Cable outlet	6 - 10 mm
Upper temperature	125 °C
Lower temperature	-20 °C

Electrical values

Rated voltage	300 V
Rated impulse voltage	2500 V
Pollution degree	3
Overvoltage category	II
Material group	III
Rated current (40°C)	8x8A/ 1x20A
Volume resistivity	≤ 3 mΩ
EMV compliance	not shielded
Degree of protection	IP67
Mechanical operation	> 50 mating cycles

Material

Material of contact	CuSn (Bronze)
Contact plating	Au (Gold)
Material of contact body	PBT/PA66
Material of housing	CuZn (Brass nickel-plated)

Contacts: 9, Coupling socket, left-turning