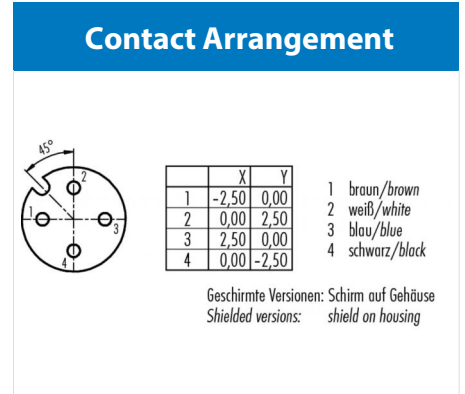
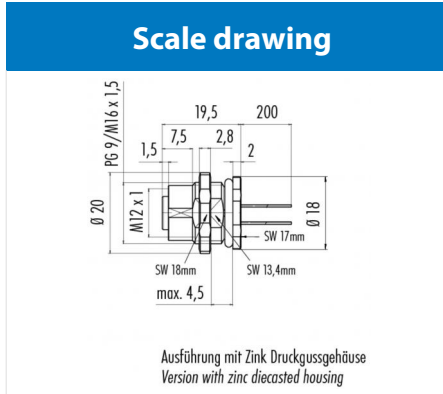


Product **Contacts: 4, Female panel mount connector, screwed from front, with single wires, 0.25 mm<sup>2</sup>, M16 x 1.5**

Area **M12-A Series 713/763**  
Article number **76 0632 1011 00004-0200**



You can find the assembly instruction on the next page.

## Technical data

### General features

|                          |                              |
|--------------------------|------------------------------|
| Connector Design         | female panel mount connector |
| Connector locking system | bolted                       |
| Termination              | Strands                      |
| Wire gauge (mm)          | 0,25 mm <sup>2</sup>         |
| Wire gauge (AWG)         | 24                           |
| Upper temperature        | 85 °C                        |
| Lower temperature        | -40 °C                       |

### Electrical parameters

|                       |                     |
|-----------------------|---------------------|
| Rated voltage         | 250 V               |
| Rated impulse voltage | 2500 V              |
| Pollution degree      | 3                   |
| Overvoltage category  | II                  |
| Material group        | II                  |
| Rated current (40°C)  | 4 A                 |
| Volume resistivity    | ≤ 3 mΩ              |
| EMV compliance        | not shielded        |
| Degree of protection  | IP68                |
| Mechanical operation  | > 100 Mating cycles |

### Material

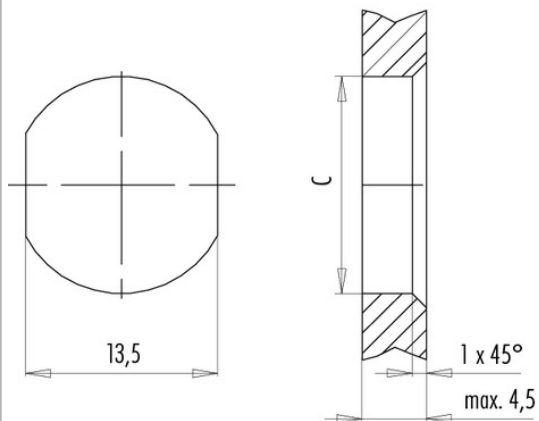
|                          |               |
|--------------------------|---------------|
| Material of contact      | CuSn (Bronze) |
| Contact plating          | Au (gold)     |
| Material of contact body | PA            |

Product **Contacts: 4, Female panel mount connector, screwed from front, with single wires, 0.25 mm<sup>2</sup>, M16 x 1.5**  
 Area **M12-A Series 713/763**  
 Article number **76 0632 1011 00004-0200**

### Installation instructions / Mounting cutout

Mit Fläche als Verdrehschutz  
With flats as anti-rotation device

Mit Durchgangsbohrung  
With bore hole



|         | C    |
|---------|------|
| PG 9    | 15,3 |
| M16x1,5 | 16,1 |

Anzugsdrehmoment/Tightening moment

Metallgehäuse/Metal housing 6,25 Nm  
 Kunststoffgehäuse/Plastic housing 3,75 Nm