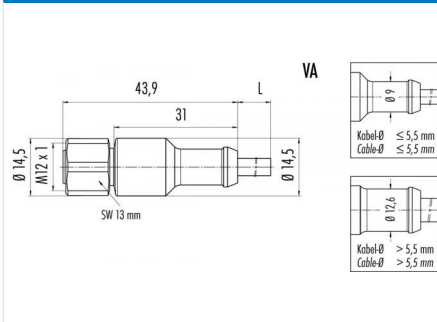


Product	Polzahl: 3, Kabeldose umspritzt, Edelstahlgewinding	Area	M12-A Series 763
Pole	3	Article number	77 3730 0000 50003-0500

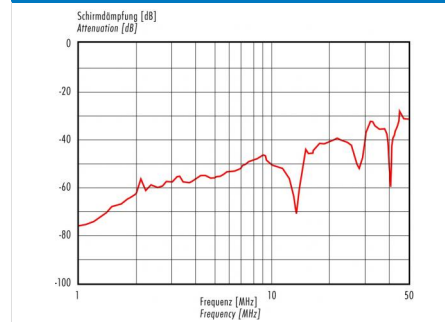
Illustration



Scale drawing



Attenuation characteristic



Technical data

Common values

Connector locking system	screw
Termination	crimp, injection-moulded cable
Wire gauge (mm)	0.34 mm ²
Wire gauge (AWG)	22
Upper temperature	85 °C
Lower temperature	-25 °C

Cable data

material housing	PUR
Insulation single lead	PVC
Single lead structure	42 x 0.1
Cable sheath Ø	5
Conductor resistance	55Ω/Km
Temperature range cable movable c from	-5
Temperature range cable movable c to	70
Temperature range cable fixed c from	-25
Temperature range cable fixed c to	70
Bending radius cable fixed	25 mm
Bending radius cable movable	50 mm

Electrical values

Pollution degree	3
Overvoltage category	II
Material group	II
Rated current (40°C)	4 A
Volume resistivity	≤ 3 mΩ
EMV compliance	not shielded
Degree of protection	IP68
Mechanical operation	> 100 mating cycles

Material

Material of contact	CuSn (Bronze)
Contact plating	Au (Gold)
Material of contact body	PUR
Material of housing	PUR

Polzahl: 3, Kabellänge 5 m, Kabel: 3 x 0,34 mm², PUR, Kabeldose umspritzt, Edelstahlgewinding