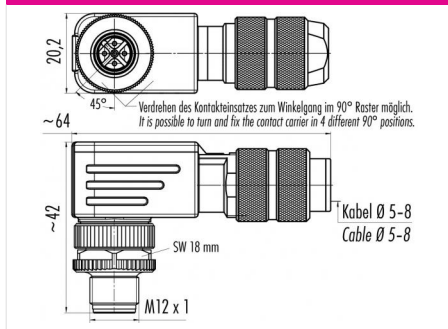


Product	<b>Contacts: 5, Male angled connector, shieldable, iris type spring shielding, screw terminal connection with die-cast threaded ring, with UL approval</b>	Area	<b>M12-B Series 715</b>
Pole	<b>5</b>	Article number	<b>99 1439 820 05</b>

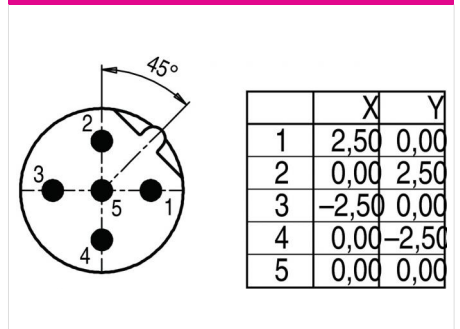
**Illustration**



**Scale drawing**



**Contact Arrangement**



You can find the item description and assembly instruction on the next page.

**Technical data**

**Common values**

Connector Design	Male angled connector
Connector locking system	screw
Termination	schrauben
Wire gauge (mm)	0.75 mm <sup>2</sup>
Wire gauge (AWG)	18
Cable outlet	5 - 8 mm
Upper temperature	85 °C
Lower temperature	-40 °C

**Electrical values**

Rated voltage	125 V
Rated impulse voltage	1500 V
Pollution degree	3
Overvoltage category	II
Material group	II
Rated current (40°C)	4 A
Volume resistivity	≤ 3 mΩ
EMV compliance	geschirmt
Degree of protection	IP67
Mechanical operation	> 100 mating cycles

**Cable data**

material housing	-
Insulation single lead	-
Single lead structure	-
Conductor resistance	-
Bending radius cable fixed	-
Bending radius cable movable	-

**Material**

Material of contact	CuZn (Brass)
Contact plating	Au (Gold)
Material of contact body	PA
Material of housing	PA, nickel-plated zinc die casting/ PA

cable outlet: 5 - 8 mm, Contacts: 5, Male angled connector, shieldable, screw terminal connection, iris type spring, with UL approval

Product	<b>Contacts: 5, Male angled connector, shieldable, iris type spring shielding, screw terminal connection with die-cast threaded ring, with UL approval</b>	Area	<b>M12-B Series 715</b>
Pole	<b>5</b>	Article number	<b>99 1439 820 05</b>

Item description

\* Teile vormontiert  
Premounted parts

Installation instructions / Mounting cutout

Festdrehen mit 100 cNm  
screw down with a torque 100 cNm

Schirm mit Kupfer-Tape umwickeln  
wrap shielding braid with copper tape

abmanteln  
disassemble

absolieren  
strip

Schirm kürzen  
shorten shield

Schirm  $\leq 5,5$  mm  
shielding braid  $\leq 5,5$  mm

Schirm  $> 5,5$  mm  
Shielding braid  $> 5,5$  mm

<p><b>Schirmdurchmesser <math>\leq 5,5</math> mm</b></p> <ol style="list-style-type: none"> <li>1. Gehäuse auf Kabel aufdübeln.</li> <li>2. Abmanteln, abisolieren, Schirm kürzen, Schirm auf Kabelmantel umschlagen und mit Kupfer-Tape umwickeln.</li> <li>3. Litzen anschließen.</li> <li>4. Gehäuse mit Stecker- bzw. Buchseneinsatz verschrauben.</li> <li>5. Kabel durch den Kabelabgang so weit zurückziehen, bis noch 2 mm vom Schirm sichtbar ist.</li> <li>6. Deckel mit Dichtung einsetzen und Druckschraube festdrehen.</li> </ol> <p><b>Shield-diameter <math>\leq 5,5</math> mm</b></p> <ol style="list-style-type: none"> <li>1. Bead housing to cable.</li> <li>2. Cut off cable coating, strip single cores, shorten shielding braid, revert to cable jacket and wrap it with copper tape.</li> <li>3. Connect single wires.</li> <li>4. Screw housing to male or female contact carrier.</li> <li>5. Pull back the cable through the outlet until only 2 mm of the shielding braid are visible.</li> <li>6. Mount lid with seal and fix pressing screw.</li> </ol>	<p><b>Schirmdurchmesser <math>&gt; 5,5</math> mm</b></p> <ol style="list-style-type: none"> <li>1. Gehäuse auf Kabel aufdübeln.</li> <li>2. Abmanteln, abisolieren, Schirm kürzen.</li> <li>3. Litzen anschließen.</li> <li>4. Gehäuse mit Stecker- bzw. Buchseneinsatz verschrauben.</li> <li>5. Kabel durch den Kabelabgang so weit zurückziehen, bis noch 2 mm vom Schirm sichtbar ist.</li> <li>6. Deckel mit Dichtung einsetzen und Druckschraube festdrehen.</li> </ol> <p><b>Shield-diameter <math>&gt; 5,5</math> mm</b></p> <ol style="list-style-type: none"> <li>1. Bead housing to cable.</li> <li>2. Cut off cable coating, strip single cores, shorten shielding braid.</li> <li>3. Connect single wires.</li> <li>4. Screw housing to male or female contact carrier.</li> <li>5. Pull back the cable through the outlet until only 2 mm of the shielding braid are visible.</li> <li>6. Mount lid with seal and fix pressing screw.</li> </ol>
--	--

	Schraubklemmversion screw connection	Käfigzugfederversion wire clamp connection
Maß A/mm measure A/mm	<b>5</b>	<b>7</b>

Öffnungswerkzeug für Käfigzugfederversion  
opening tool for wire clamp connection