

Product sheet

Subminiature connector

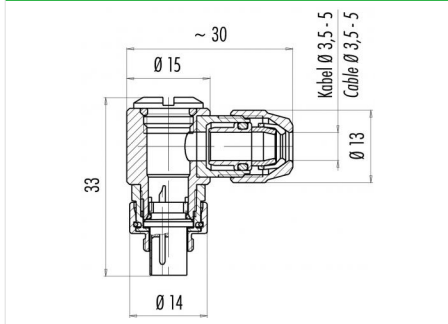


| | | | |
|---------|---|----------------|---------------------------|
| Product | Contacts: 4, Male angled connector, 360° EMC safe, cable outlet 3.5-5 mm | Area | M9 IP67 Series 712 |
| Pole | 4 | Article number | 99 0409 75 04 |

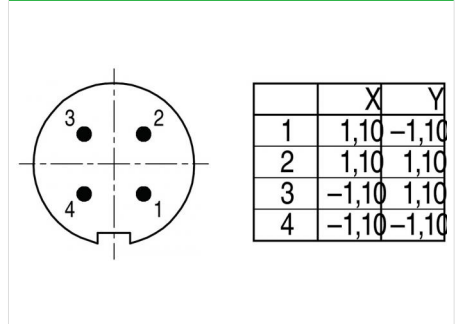
Illustration



Scale drawing



Contact Arrangement



You can find the item description and assembly instruction on the next page.

Technical data

Common values

| | |
|--------------------------|-----------------------|
| Connector Design | Male angled connector |
| Connector locking system | screw |
| Termination | Solder |
| Wire gauge (mm) | 0.25 mm ² |
| Wire gauge (AWG) | 24 |
| Cable outlet | 3.5 - 5 mm |
| Upper temperature | 85 °C |
| Lower temperature | -40 °C |

Cable data

| | |
|------------------------|---|
| material housing | - |
| Insulation single lead | - |
| Single lead structure | - |
| Conductor resistance | - |

Electrical values

| | |
|-----------------------|---------------------|
| Rated voltage | 125 V |
| Rated impulse voltage | 1500 V |
| Pollution degree | 1 |
| Overvoltage category | II |
| Material group | III |
| Rated current (40°C) | 3 A |
| Volume resistivity | ≤ 3 mΩ |
| EMV compliance | shieldable |
| Degree of protection | IP67 |
| Mechanical operation | > 500 mating cycles |

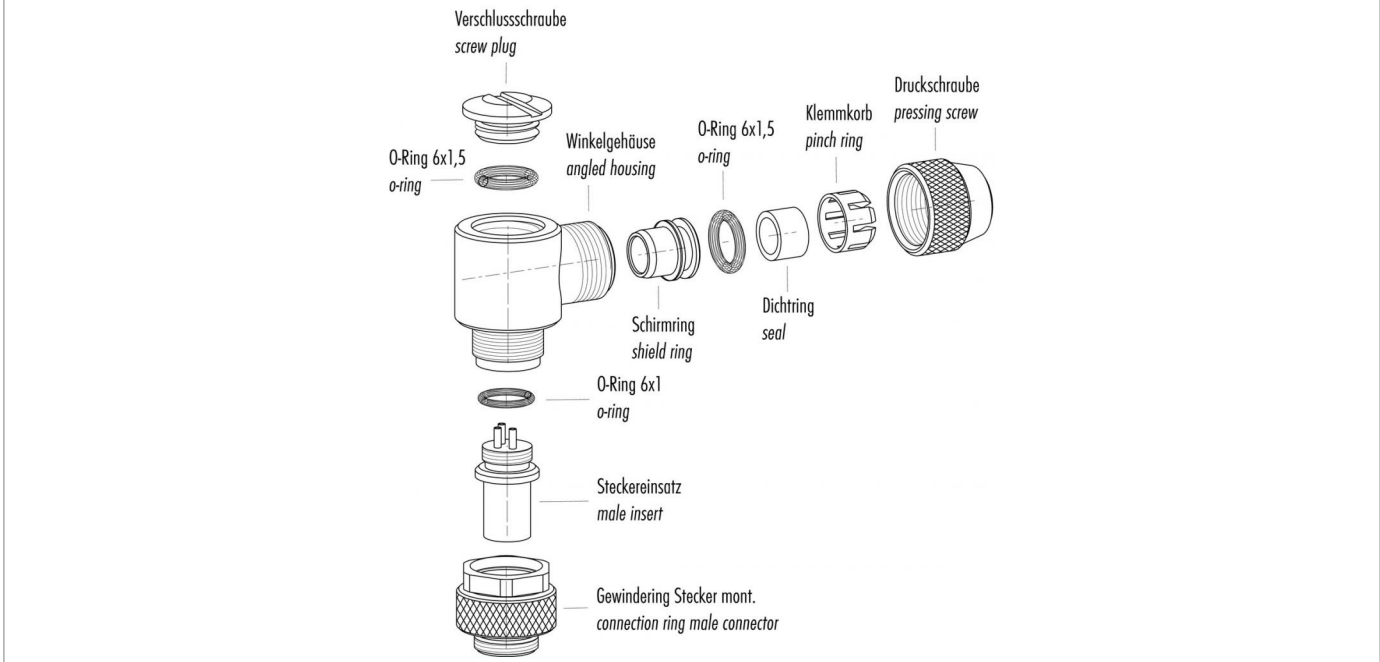
Material

| | |
|--------------------------|----------------------------|
| Material of contact | CuZn (Brass) |
| Contact plating | Au (Gold) |
| Material of contact body | PBT (UL 94 V-0) |
| Material of housing | CuZn (Brass nickel-plated) |

Contacts: 4, Male angled connector, 360° EMC safe, shieldable, cable outlet 3.5-5 mm

| | | | |
|---------|---|----------------|---------------------------|
| Product | Contacts: 4, Male angled connector, 360° EMC safe, cable outlet 3.5-5 mm | Area | M9 IP67 Series 712 |
| Pole | 4 | Article number | 99 0409 75 04 |

Item description



Installation instructions / Mounting cutout

