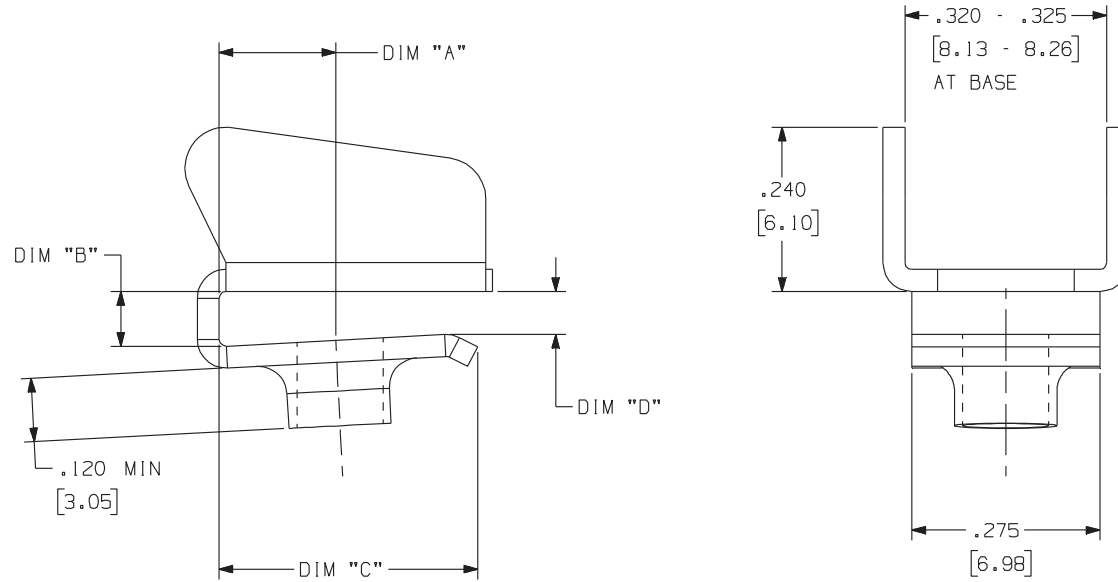


M6111 / M6112

Rev.

APPLICATION DRAWING



PART NUMBER	M611	M6112
MATERIAL TYPE	0.032" (0.81mm) BRASS	0.032" (0.81mm) BRASS
FINISH	100% MATTE TIN OVER COPPER	100% MATTE TIN OVER COPPER
SCREW SPECIFICATION	NO SCREW	NO SCREW
DIM "A"	0.160" (4.06mm)	0.145" (3.68mm)
DIM "B"	0.070"/0.075" (1.78mm/1.91mm)	0.102"/0.107" (2.59mm/2.71mm)
DIM "C"	0.380" (9.65mm)	0.365" (9.27mm)
DIM "D"	0.048"/0.058" (1.22mm/1.47mm)	0.081"/0.091" (2.06mm/2.31mm)

RoHS COMPLIANT

Zierick Product Related Recommendations are general guidelines only. Since each customer's design, process and application is different it is necessary that customers thoroughly test our products in specific applications.

ZIERICK

Radio Circle Drive
Mount Kisco, New York 10549

MAG TERM TERMINAL

THIS DOCUMENT AND THE CONFIDENTIAL INFORMATION CONTAINED HERE ARE THE PROPERTY OF ZIERICK MANUFACTURING CORPORATION AND MAY NOT BE USED IN WHOLE OR IN PART IN ANY WAY, OR COMMUNICATED TO ANY PARTY OTHER THAN THE RECIPIENT WITHOUT THE EXPRESS PRIOR WRITTEN CONSENT OF ZIERICK MANUFACTURING CORPORATION.

M6111 / M6112