

Product 713/763, 715/766, 825/876: ring nut for fixing thread M12 x 1, diameter 18 mm
Area M12-A

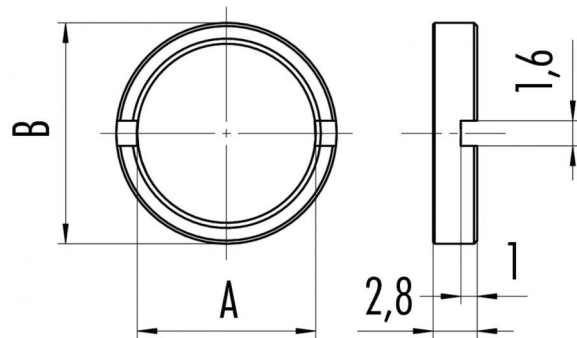
Article number 01 5325 001

Date: 2015-06-04 - Page 1 of 1

Illustration



Scale drawing



Matching products

Male panel mount connector, fixing thread, M12 x 0.5

Male panel mount connector, screwed from front, dip-soldered, M12 x 1, 10.5 mm contact length