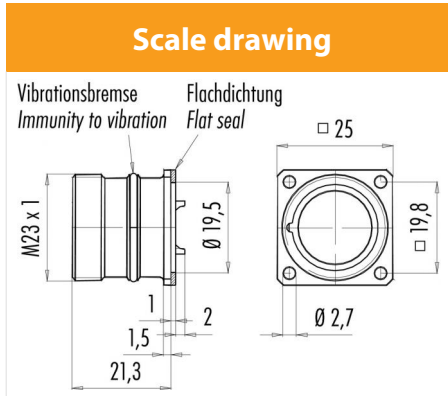


Product sheet

Output connector



Product	Contacts: 19, Female panel mount connector, front mounting, right-turning (the pin and socket insert counter-rotate in right and left turning models)	Area	M23 Power Series 623
Pole	19	Article number	99 4634 00 19



	X	Y
1	-3,00	5,20
2	-5,20	3,00
3	-6,00	0,00
4	-5,20	-3,00
5	-3,00	-5,20
6	0,00	-6,00
7	3,00	-5,20
8	5,20	-3,00
9	6,00	0,00
10	5,20	3,00
11	3,00	5,20
12	0,00	6,00
13	-2,75	1,60
14	-2,75	-1,60
15	0,00	-3,00
16	2,75	-1,60
17	2,75	1,60
18	0,00	3,00
19	0,00	0,00

Technical data

Common values

Connector Design	Female panel mount connector
Connector locking system	screw
Termination	Solder
Wire gauge (mm)	16x1.0/ 3x1.5 mm ²
Wire gauge (AWG)	16x18/ 3x16
Cable outlet	-
Upper temperature	125 °C
Lower temperature	-20 °C

Electrical values

Rated voltage	150 V
Rated impulse voltage	1500 V
Pollution degree	3
Overvoltage category	II
Material group	III
Rated current (40°C)	16x8A/ 3x10A
Volume resistivity	≤ 3 mΩ
EMV compliance	not shielded
Degree of protection	IP67
Mechanical operation	> 50 mating cycles

Material

Material of contact	CuSn (Bronze)
Contact plating	Au (Gold)
Material of contact body	PBT/PA66
Material of housing	Nickel-plated zinc die casting

Contacts: 19, Female panel mount connector, front mounting, right-turning