



| | | |
|----------------------------------|---------|----------------------------|
| inserts: | page: | housings with double lever |
| CD 40 poles + ⊕ | 57 | |
| CT, CTS (10A) * .. 40 poles + ⊕ | 64 | |
| CDD 72 poles + ⊕ | 70 | |
| CDS 27 poles + ⊕ | 80 | |
| CSH 16 poles + ⊕ | 93 | |
| CNE, CSE 16 poles + ⊕ | 106 | |
| CCE 16 poles + ⊕ | 112 | |
| CSS 16 poles + ⊕ | 124 | |
| CT, CTSE (16A) * .. 16 poles + ⊕ | 132 | |
| CQE 32 poles + ⊕ | 140 | |
| CQEE 40 poles + ⊕ | 146 | |
| CMCE 6+2 (aux) poles + ⊕ | 150 | |
| CMSH 6+2 (aux) poles + ⊕ | 151 | |
| CP 6 poles + ⊕ | 162 | |
| CX 6/36 and 12/2 poles + ⊕ | 170-171 | |
| CX 4/0 and 4/2 poles + ⊕ | 172 | |
| MIXO 4 modules | 179-215 | |

*) only in the CHIN 16 enclosure
insert centre distance: 77,5 x 27 mm

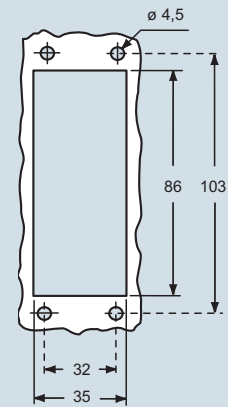


hoods with 4 pegs

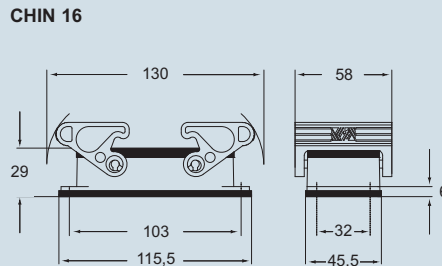


| description | part No. | entry M | part No. | entry M |
|--|-------------------|-----------|-------------------|-----------|
| bulkhead mounting housing, with 2 levers | CHIN 16 | | | |
| surface mounting housing, high construction, with 2 levers | MAPN 16.32 | 32 | | |
| with pegs, side entry | | | MHON 16.32 | 32 |
| with pegs, side entry, high construction | | | MFON 16.32 | 32 |
| with pegs, top entry | | | MHVN 16.32 | 32 |
| with pegs, top entry, high construction | | | MFVN 16.32 | 32 |

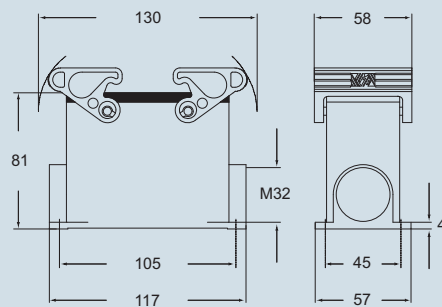
panel cut-out for bulkhead mounting housing in mm



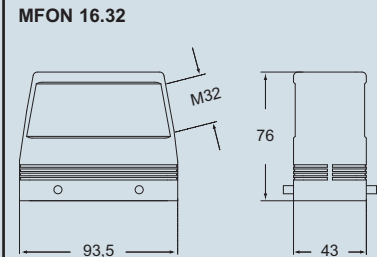
dimensions in mm



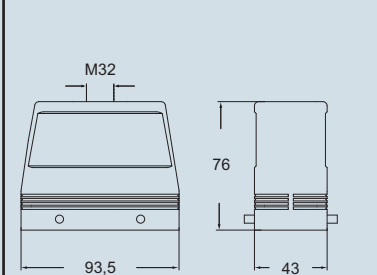
MAPN 16.32



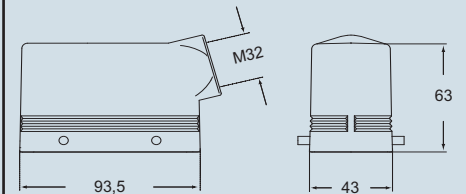
dimensions in mm



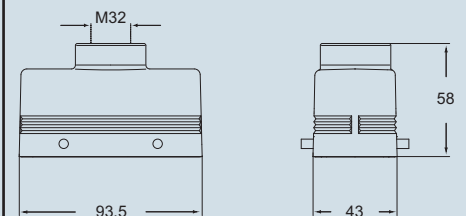
MFVN 16.32



MHON 16.32



MHVN 16.32



- kiln powder coating with RAL 9005 black epoxy polyester powder
- RAL 9005 black self-extinguishing thermoplastic locking lever (spare lever page 458)

CALUS Type 4/4X/12



dimensions shown are not binding and may be changed without notice

LS-TYPE - size 77.27



| | | |
|----------------------------------|---------|-------------------------|
| inserts: | page: | hoods with double lever |
| CD 40 poles + ⊕ | 57 | |
| CDD 72 poles + ⊕ | 70 | |
| CDS 27 poles + ⊕ | 80 | |
| CSH 16 poles + ⊕ | 93 | |
| CNE, CSE 16 poles + ⊕ | 106 | |
| CCE 16 poles + ⊕ | 112 | |
| CSS 16 poles + ⊕ | 124 | |
| CQE 32 poles + ⊕ | 140 | |
| CQEE 40 poles + ⊕ | 146 | |
| CMCE 6+2 (aux) poles + ⊕ | 150 | |
| CMSH 6+2 (aux) poles + ⊕ | 151 | |
| CP 6 poles + ⊕ | 162 | |
| CX 6/36 and 12/2 poles + ⊕ | 170-171 | |
| CX 4/0 and 4/2 poles + ⊕ | 172 | |
| MIXO 4 modules | 179-215 | |

insert centre distance:
77,5 x 27 mm

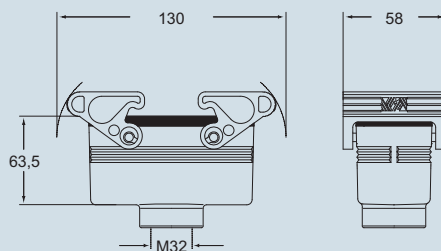


| description | part No. | | part No. (with eyelet) | part No. (with loop) |
|--|-------------|---------|------------------------|----------------------|
| | | entry M | | |
| with 2 levers and gasket, top entry | MHVN 16 G32 | 32 | | |
| with 2 levers and gasket, top entry, high construction | MFVN 16 G32 | 32 | | |
| cover with pegs | | | CHCN 16 | |
| cover with 2 levers | | | | CHCN 16 G |

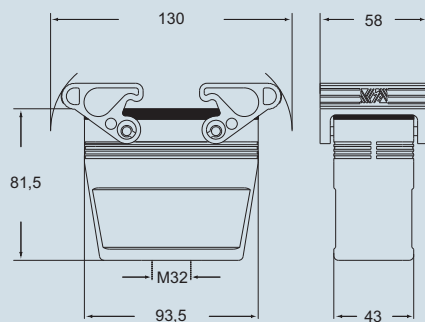
- kiln powder coating with RAL 9005 black epoxy polyester powder
- RAL 9005 black self-extinguishing thermoplastic locking lever (spare lever page 458)

dimensions in mm

MHVN 16 G32

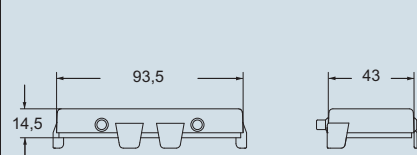


MFVN 16 G32

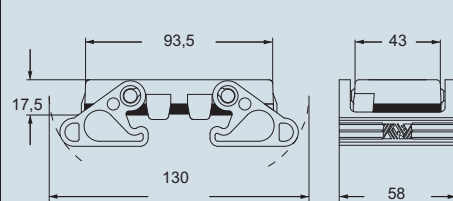


dimensions in mm

CHCN 16



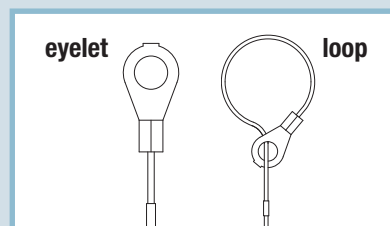
CHCN 16 G



CAUS Type 4/4X/12



dimensions shown are not binding and may be changed without notice



LS-TYPE - size 77.27

| | | |
|------------------------------|-----------------------|-----------|
| inserts: | | page: |
| CD | 40 poles + ⊕ | 57 * |
| CT, CTS (10A) * | 40 poles + ⊕ | 64 * |
| CDD | 72 poles + ⊕ | 70 * |
| CDS | 27 poles + ⊕ | 80 * |
| CSH | 16 poles + ⊕ | 93 * |
| CNE, CSE | 16 poles + ⊕ | 106 * |
| CCE | 16 poles + ⊕ | 112 * |
| CSS | 16 poles + ⊕ | 124 * |
| CT, CTSE (16A) * .. | 16 poles + ⊕ | 132 * |
| CQE | 32 poles + ⊕ | 140 * |
| CQEE | 40 poles + ⊕ | 146 * |
| CMCE | 6+2 (aux) poles + ⊕ | 150 * |
| CMSH | 6+2 (aux) poles + ⊕ | 151 * |
| CP | 6 poles + ⊕ | 162 * |
| CX 6/36, 6/12 and 12/2 | poles + ⊕ | 170-171 * |
| CX | 4/0 and 4/2 poles + ⊕ | 172 * |
| MIXO | 4 modules | 179-215 * |
| CDSH | 27 poles + ⊕ | 11 |

*) only in the CHIN enclosure

* refer to catalogue page CN.16

insert centre distance: 77,5 x 27 mm

housings for 2 levers



NEW

hoods with 2 levers

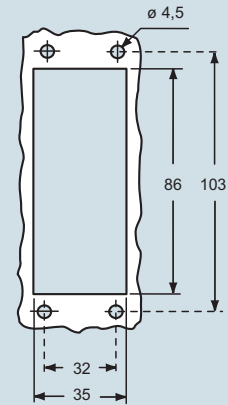


NEW

| description | part No. | part No. | entry M |
|-------------|----------|----------|---------|
|-------------|----------|----------|---------|

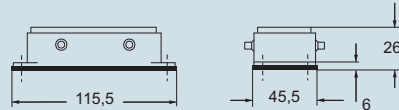
| | | | |
|--|-------------------|---------------------|--------|
| bulkhead mounting housing, with 4 pegs | CHIN 16 CH | | |
| with 2 levers and gasket, top entry, high construction | | MFVN 16 G225 | 25 x 2 |

panel cut-out for bulkhead mounting housing in mm

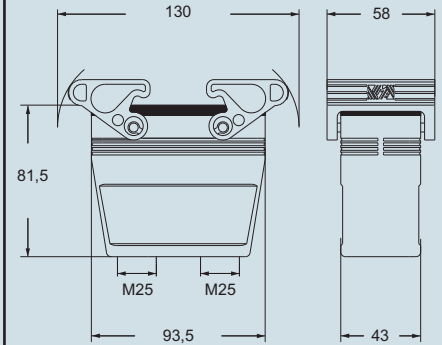


dimensions in mm

CHIN CH



MFVN G



- kiln powder coating with RAL 9005 black epoxy polyester powder
- RAL 9005 black self-extinguishing thermoplastic locking lever (spare lever page 458 catalogue CN.16)



dimensions shown are not binding and may be changed without notice