

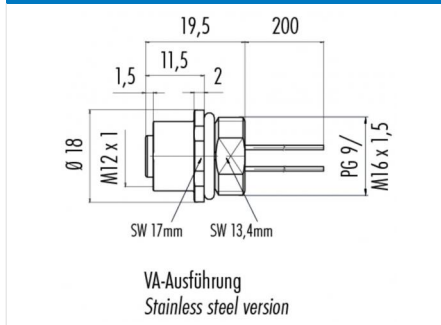
Product **Contacts: 12, Female panel mount connector with single wires, 0,14 mm², M16 x 1,5**

Area **M12-A Series 713/763**
Article number **76 0232 0111 00012-0200**

Illustration



Scale drawing



Contact Arrangement

	X	Y	
1	-2,80	0,78	1 braun/brown
2	-0,78	2,80	2 blau/blue
3	1,09	2,69	3 weiß/white
4	2,51	1,46	4 grün/green
5	2,88	-0,37	5 rosa/pink
6	2,05	-2,05	6 gelb/yellow
7	0,37	-2,88	7 schwarz/black
8	-1,46	-2,51	8 grau/grey
9	-2,69	-1,09	9 rot/red
10	-0,78	0,78	10 violett/purple
11	1,06	0,29	11 grau/rosa/grey/pink
12	-0,29	-1,06	12 rot/blau/red/blue

Geschirmte Versionen: Schirm auf Gehäuse
Shielded versions: shield on housing

You can find the assembly instruction on the next page.

Technical data

General features

Connector Design	female panel mount connector
Connector locking system	bolted
Termination	Strands
Wire gauge (mm)	0,14 mm ²
Wire gauge (AWG)	26
Upper temperature	85 °C
Lower temperature	-40 °C

Cable data

Approval 1	UL
------------	----

Electrical parameters

Rated voltage	30 V
Rated impulse voltage	500 V
Pollution degree	3
Overvoltage category	II
Material group	II
Rated current (40°C)	2 A
Volume resistivity	≤ 3 mΩ
EMV compliance	not shielded
Degree of protection	IP68
Mechanical operation	> 100 Mating cycles

Material

Material of contact	CuSn (Bronze)
Contact plating	Au (gold)
Material of contact body	PA

Product **Contacts: 12, Female panel mount connector with single wires, 0.14 mm², M16 x 1.5**
 Area **M12-A Series 713/763**
 Article number **76 0232 0111 00012-0200**

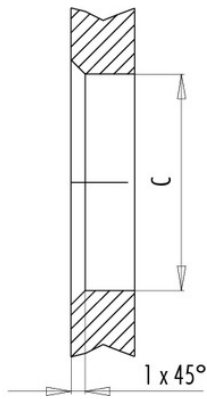
Installation instructions / Mounting cutout

Mit Fläche als Verdrehschutz
With flats as anti-rotation device

PG 9/M16 x 1,5



Mit Durchgangsbohrung
With bore hole



Mit Gewinde, einschraubbar
With thread to screw in



alternativ/alternativ

	A	B	C
PG 9	PG 9	16,2	15,3
PG 13,5	PG 13,5	21,5	20,5
M16x1,5	M16x1,5	17,0	16,1
M20x1,5	M20x1,5	21,0	20,1

Anzugsdrehmoment/Tightening moment

Metallgehäuse/Metal housing 6,25 Nm
 Kunststoffgehäuse/Plastic housing 3,75 Nm