

Product sheet

Output connector

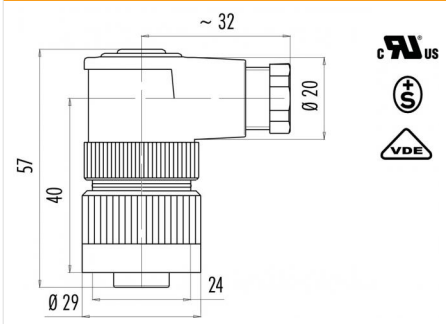


Product	Contacts: 6+PE, female angled connector, PG 9 with VDE, ETS, UL approval	Area	RD24 Power Series 692/693
Pole	6+PE	Article number	99 4202 70 07

Illustration



Scale drawing



Contact Arrangement

	X	Y
1	3,25	-3,54
2	4,76	0,63
3	2,22	4,26
4	-2,22	4,26
5	-4,76	0,63
6	-3,25	-3,54
PE	0,00	0,50

You can find the item description on the next page.

Technical data

Common values

Connector Design	Female angled connector
Connector locking system	screw
Termination	Crimp
Wire gauge (mm)	0.14 -1.5 mm ²
Wire gauge (AWG)	26-16
Cable outlet	6 - 8 mm
Upper temperature	100 °C
Lower temperature	-40 °C

Electrical values

Rated voltage	250 V
Rated impulse voltage	4000 V
Pollution degree	3
Overvoltage category	III
Material group	III
Rated current (40°C)	10 A (8 A UL)
Volume resistivity	≤ 5 mΩ
EMV compliance	not shielded
Degree of protection	IP67
Mechanical operation	> 500 mating cycles

Material

Material of contact	CuSn (Bronze), CuZn (Brass)
Contact plating	Ag (Silver)
Material of contact body	PBT (UL 94 V-0)
Material of housing	PBT (UL 94 V-0)

Contacts: 6+PE, female angled connector, PG 9, with VDE, ETS, UL approval, crimp



Product

**Contacts: 6+PE, female angled connector,
PG 9 with VDE, ETS, UL approval**
6+PE

Area
Article number

RD24 Power Series 692/693
99 4202 70 07

Pole

Item description

