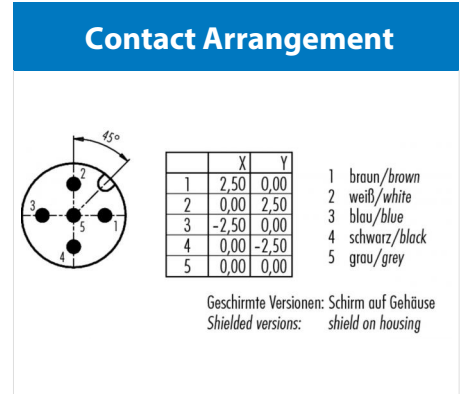
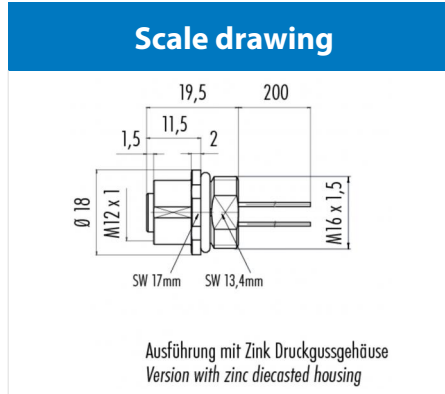
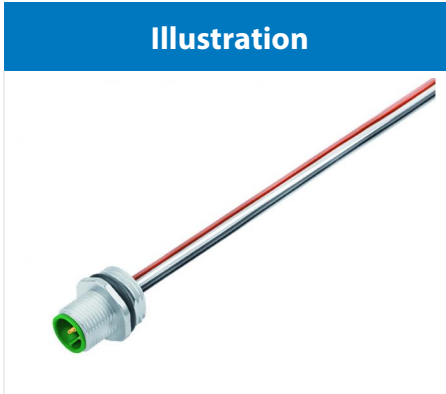


Product **Contacts: 5, Male panel mount connector with single wires, 0,25 mm<sup>2</sup>, contact insert, green, M16 x 1.5**  
 Area **M12-A Series 713/763**  
 Article number **76 0231 0011 00405 0200**



**You can find the assembly instruction on the next page.**

## Technical data

### General features

Connector Design male panel mount connector  
 Connector locking system bolted  
 Termination Strands UL 1007/1569  
 Wire gauge (mm) 0,25 mm<sup>2</sup>  
 Wire gauge (AWG) 24  
 Upper temperature 85 °C  
 Lower temperature -40 °C

### Cable data

Approval 1 UL

### Electrical parameters

Rated voltage 125 V  
 Rated impulse voltage 1500 V  
 Pollution degree 3  
 Overvoltage category II  
 Material group II  
 Rated current (40°C) 4 A  
 Volume resistivity ≤ 3 mΩ  
 EMV compliance not shielded  
 Degree of protection IP67  
 Mechanical operation > 50 Mating cycles

### Material

Material of contact CuZn (Messing)  
 Contact plating Au (gold)  
 Material of contact body PA  
 Material of housing Zink Druckguss vernickelt

Product **Contacts: 5, Male panel mount connector with single wires, 0.25 mm<sup>2</sup>, contact insert, green, M16 x 1.5**  
 Area **M12-A Series 713/763**  
 Article number **76 0231 0011 00405 0200**

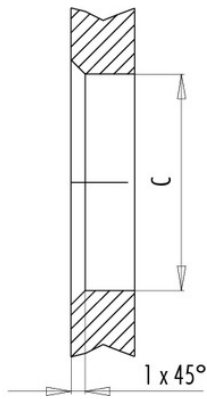
**Installation instructions / Mounting cutout**

Mit Fläche als Verdrehschutz  
With flats as anti-rotation device

PG 9/M16 x 1,5



Mit Durchgangsbohrung  
With bore hole



Mit Gewinde, einschraubbar  
With thread to screw in



alternativ/alternativ

	A	B	C
PG 9	PG 9	16,2	15,3
PG 13,5	PG 13,5	21,5	20,5
M16x1,5	M16x1,5	17,0	16,1
M20x1,5	M20x1,5	21,0	20,1

Anzugsdrehmoment/Tightening moment

Metallgehäuse/Metal housing 6,25 Nm  
 Kunststoffgehäuse/Plastic housing 3,75 Nm